

## SFH45-153075 HIGH WATTAGE FIRE ALARM SPEAKER/ SELECT-A-STROBE COMBINATION



- Designed to meet or exceed NFPA/ANSI Standards and ADA accessibility guidelines
- UL Listed for fire protective service
- Field selectable taps from 2, 4, and 8 Watts
- UL Listed for wall or ceiling mount
- Available in 25V RMS and 70.7V RMS
- Screw terminals capacity up to AWG12
- Frequency range 400 Hz - 4000 Hz
- Two field selectable settings: 15 or 30 cd
- Polarized strobes with wide listed voltage ranges using filtered or unfiltered FWR input voltage
- Synchronization requires the SMD10-3A Sync Module

Amseco's high quality fire alarm speakers are designed to generate attention grabbing tones and voice commands for emergency signaling evacuation applications. These highly efficient speakers are available with field selectable taps from 2 - 8 Watts. The speakers are available in two input voltage models, 25V RMS and 70.7V RMS and can be installed on a standard 4" electrical back box with an extension ring. The SFH45-153075 Series features a new and exclusive select-a-strobe. The strobe utilized a unique candela intensity field selector switch for alternating the candela output from 15 to 30. The strobe housing is clearly labeled with "FIRE" lettering and is polarized for connecting to supervised fire alarm circuits. The strobe is designed with a xenon flash tube and provides a candela intensity field selector switch for maximum performance. They are available in red or white housing.

The strobe can be synchronized by using the SMD10-3A Sync Module to comply with NFPA recommendations concerning photosensitive epilepsy when installing two or more visual appliances within the field of view. The strobe signals are listed for indoor use, ceiling and wall mount, under UL 1971 Standard.

### Ordering Information

Model Number	Stock Number	Speaker Voltage (VAC)	Strobe Voltage (VDC)	Strobe Candela (Selectable)	Selectable Wattage	Flash Rate (Per Minute)	Grille Type	Grille Color
SFH45-153075R-25S	4650006	25	24	15 or 30	2,4,8	60	Square	Red
SFH45-153075W-25S	4650010	25	24	15 or 30	2,4,8	60	Square	White
SFH45-153075R-25R	4650005	25	24	15 or 30	2,4,8	60	Round	Red
SFH45-153075W-25R	4650009	25	24	15 or 30	2,4,8	60	Round	White
SFH45-153075R-70S	4650008	70.7	24	15 or 30	2,4,8	60	Square	Red
SFH45-153075W-70S	4650012	70.7	24	15 or 30	2,4,8	60	Square	White
SFH45-153075R-70R	4650007	70.7	24	15 or 30	2,4,8	60	Round	Red
SFH45-153075W-70R	4650011	70.7	24	15 or 30	2,4,8	60	Round	White

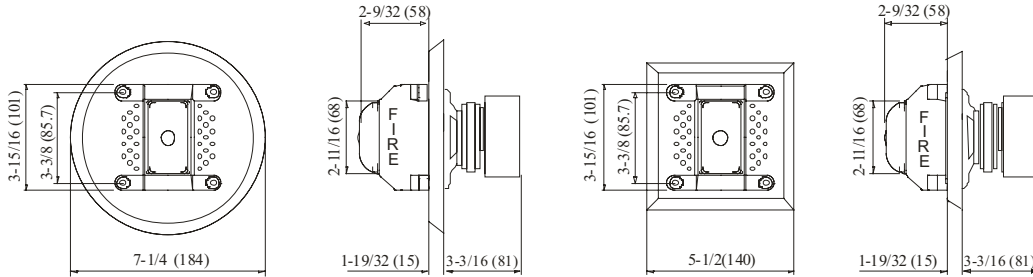
### Engineering Specifications

The fire alarm speaker shall be capable of reproducing alarm tones or voice commands on 25V RMS or 70.7V RMS. Speakers shall provide incremental tap settings of 2, 4, or 8 Watts and shall be selected by means of a jumper wire. The speaker shall have a frequency range of 400 - 4000 Hz and shall have an operating temperature between 14°F and 140°F. The speaker shall produce a UL sound pressure level at 10 feet up to 84dB. The speaker shall be approved for fire alarm signaling use. The strobe shall be listed under UL 1971 standard for signaling devices for the hearing impaired and shall be approved for fire protective service. The candela output shall be field selectable, having a dual setting of 15/75cd or 30/120cd output. The signaling strobe shall operate on 24V DC from a non-coded regulated DC supply or full-wave rectified, unfiltered supply. It shall be designed to produce one signal flash per second with continuously applied minimum voltage. The SFH45-153075 shall be capable of wall or ceiling mounting. The visual signaling devices are to be installed in all non-sleeping/corridor areas as per plans and specifications.

# SFH45-153075

## HIGH WATTAGE FIRE ALARM SPEAKER/ SELECT-A-STROBE COMBINATION

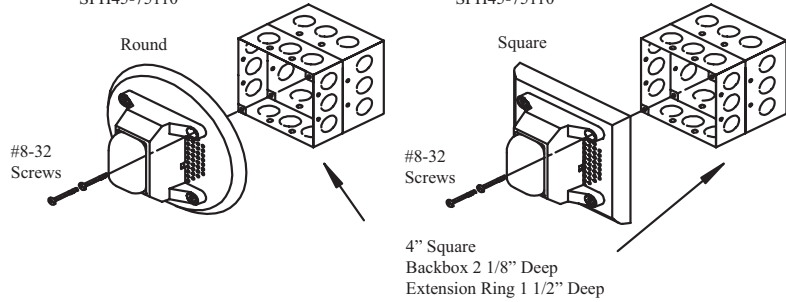
### Dimensions: inches (mm)



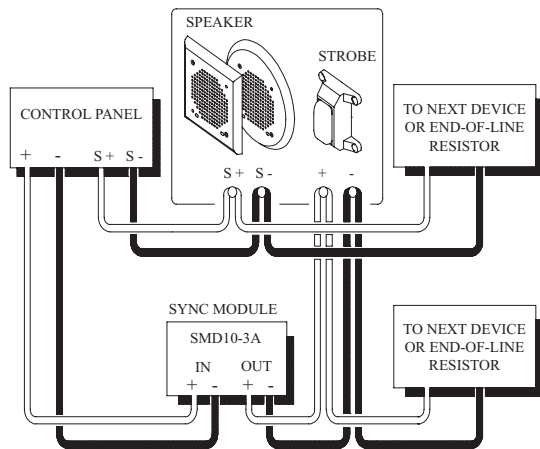
### Mounting

SFH45-153075  
SFH45-75110

SFH45-153075  
SFH45-75110

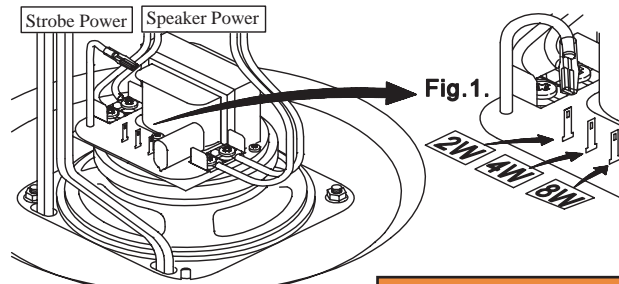


### Wiring Diagram



### Multiple Tap Setting

To select desired wattage (Fig. 1) using the change lead wire, set the desired output level (2, 4, and 8 Watt). \* The unit is set at the factory to the 2 Watt position.



Multiple taps are provided for field wattage selection.

### WARNING

To avoid electric shock, do not attempt to install wires when power is on.

Rated Input Voltage (V RMS)	25V			70.7V		
	Input Power (Watts)	2W	4W	8W	2W	4W
Impedance (Ohms)	310	156	78	2500	1250	620
Sound Pressure (dB/10ft)	90	93	96	90	93	96
Frequency Response (Hz)	400-4000					
Low Frequency Cut-off (Hz)	200					
Operating Temperature Range	32°F - 120°F (0°C - 49°C)					

Strobe Light	Maximum RMS Current (mA)	
	Regulated 24V DC (Typical)	Regulated 24V DC/FWR (Typical)
15cd	115 (83)	162 (117)
30cd	172 (112)	232 (155)