

### Features

- Capable of displaying alarms, supervisory, trouble status for 16 zones
- System Silence and Reset buttons
- Common LEDs for status indication
- Maximum 31 LED-16s for:  
PFC-6800, P400(R), IPA-4000, and AFC-1000.
- Maximum 10 LED-16s for:  
PFC-6030/6075(R)/6200, P100/200/300, IPA-60, IPA-100, AFC-50, AFC/ARC-100 and PFC-4064
- Maximum P-Link wire length of 6,500 feet
- Available in four colors
- Product includes a 5 year warranty
- UUKL Listed for Smoke Control



LED-16 Flush Mount



LED-16 Surface Mount



### Description

The LED-16 Series is a LED remote annunciator for various Potter addressable fire control panels. The LED-16 Series communicates using a RS-485 (P-Link) connection to the main panel providing zone specific indication of Alarm, Supervisory, Trouble conditions.

The LED-16 Series features 2 slide-in labels allowing each of the 16 zones to be customized for any application. It can be flush mounted or surface mounted. It can be mounted on a single gang electrical box or a four-square electrical box. The annunciator utilizes a sheet metal enclosure secured with a Potter lock.

### Technical Specifications

Standby Current	20 mA
Alarm Current	25 mA
Operating Temperature	0°C-49°C (32°F-120°F)
Operating Humidity Range	0 to 93% (non-condensing)
Maximum Wire Length	6500 ft.
Maximum Annunciators	31
Flush Mount Size (WxHxD)	11 3/8" x 9-1/4" x 7/8"
Surface Mount Size (WxHxD)	11 3/8" x 9-1/4" x 3 1/8"
Wire Gauge	12 AWG-22 AWG
Compatible Panels	IPA Series AFC/ARC Series PFC-4064 P-Series* PFC-6000 Addressable Series*

\*Legacy Product

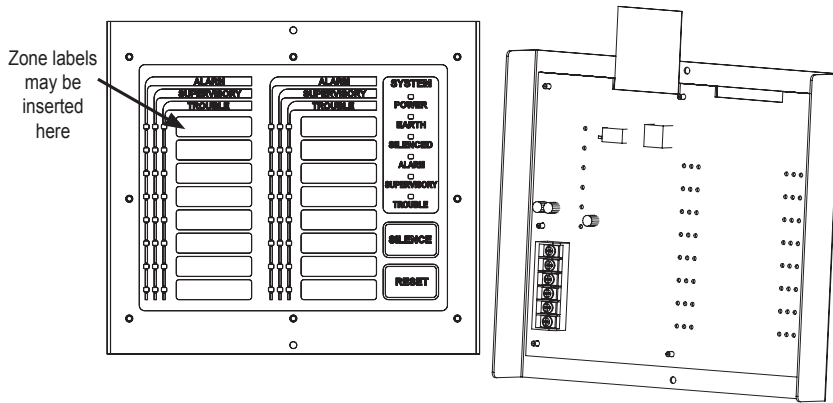
**NOTE:** LED PWR can be provided by any fire listed source. Output power must be 16 VDC-33 VDC and must be power limited.

**Installation**

The LED-16 Series is connected to the fire alarm control panel using a four wire RS-485 connection. The connection is power limited and supervised. Up to 31 LED-16 Series LED annunciators can be connected on PFC series, Potter Plus Series, AFC and IPA series panels.

*LED-16 Series Module Showing Front Cover and Board*

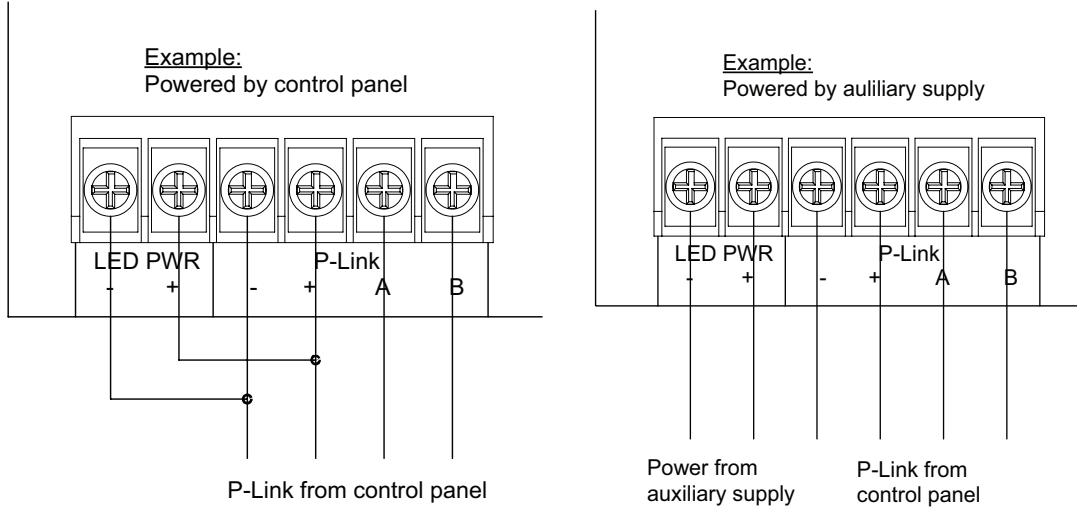
*Fig 1*



**Wiring Diagrams**

*Wiring LED-16 Series to Control Panel or Auxiliary Power Example*

*Fig 2*



**Ordering Information**

Model	Description	Stock No.
LED-16F	LED Annunciator Flush Mount	3992727
LED-16	LED Annunciator Surface Mount	3992666