

Features

- Industry leading 4 line by 40 Character LCD
- Common buttons for navigation
- Common LEDs for status indication
- 31 annunciator per panel
- Maximum wire length of 6,500 feet
- Available in 4 colors
- Product includes a 5 year warranty
- UUKL Listed for Smoke Control



Description

The RA-6500F is a flush mount LCD remote annunciator for various Potter fire control panels. The RA-6500F communicates using a RS-485 connection to the main panel providing common indication of Alarms, Supervisory, Trouble and other system status and control functions.

The RA-6500F features a 4x40 LCD display with LED's for Power, Alarm, Supervisory, Trouble, Silence, Pre-Release, and Release conditions. It can be flush mounted or surface mounted. The annunciator is enclosed in a sheet metal enclosure and has a Potter lock securing the keypad.

Technical Specifications

Standby Current	20 mA
Alarm Current	25 mA
Operating Temperature	0°C-49°C (32°F-120°F)
Operating Humidity Range	0 to 93% (non-condensing)
Maximum Wire Length	6500 ft.
Maximum Annunciators	31
Flush Mount Size (WxHxD)	11 3/8" x 9-1/4" x 7/8"
Surface Mount Size (WxHxD)	11 3/8" x 9-1/4" x 3 1/8"
Wire Gauge	12 AWG-22 AWG
Compatible Panels	IPA Series AFC/ARC Series PFC-4064 P-Series* PFC-6000 Series*

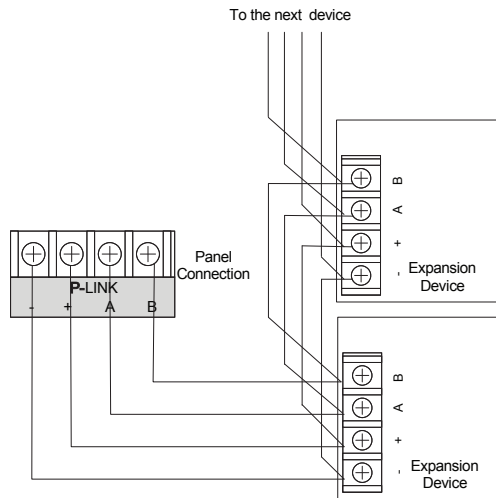
*Legacy Product

Installation

The RA-6500F is connected to the PFC series or IPA series fire control panels using a four wire RS-485 connection. The connection is power limited and supervised. Up to thirty-one (31) RA-6500F LCD annunciators can be connected using Class B or Class A wiring. Class A wiring requires an optional Class A Expander.

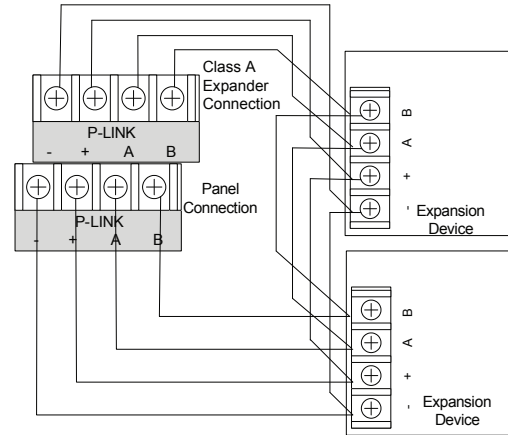
RA-6500F Class B Wiring Example

Fig 1



RA-6500F Class A Wiring Example

Fig 2



Dip Switch Settings

Refer to the table below for dip switch settings per Annunciator Address.

Annunciator Address	Dip Switch Settings				
	SW-1	SW-2	SW-3	SW-4	SW-5
1	On	Off	Off	Off	Off
2	Off	On	Off	Off	Off
3	On	On	Off	Off	Off
4	Off	Off	On	Off	Off
5	On	Off	On	Off	Off
6	Off	On	On	Off	Off
7	On	On	On	Off	Off
8	Off	Off	Off	On	Off
9	On	Off	Off	On	Off
10	Off	On	Off	On	Off
11	On	On	Off	On	Off
12	Off	Off	On	On	Off
13	On	Off	On	On	Off
14	Off	On	On	On	Off
15	On	On	On	On	Off
16	Off	Off	Off	Off	On

Annunciator Address	Dip Switch Settings				
	SW-1	SW-2	SW-3	SW-4	SW-5
17	On	Off	Off	Off	On
18	Off	On	Off	Off	On
19	On	On	Off	Off	On
20	Off	Off	On	Off	On
21	On	Off	On	Off	On
22	Off	On	On	Off	On
23	On	On	On	Off	On
24	Off	Off	Off	On	On
25	On	Off	Off	On	On
26	Off	On	Off	On	On
27	On	On	Off	On	On
28	Off	Off	On	On	On
29	On	Off	On	On	On
30	Off	On	On	On	On
31	On	On	On	On	On

Ordering Information

Model	Description	Stock No.
RA-6500F	LCD Annunciator Flush Mount - RED	3992725
RA-6500F	LCD Annunciator Flush Mount - BLACK	3992741
RA-6500F	LCD Annunciator Flush Mount - GRAY	3992742
RA-6500F	LCD Annunciator Flush Mount - LIGHT GRAY	3992743