

## Features

- Approved for mounting in any matter including dome up
- Synchronize with SSM module
- Current limited
- 10,000 hour strobe tube
- 3/4" NPT pendant, ceiling and wall mount options available
- Dome guard optional
- Type 4X, IP66 enclosure
- UL Listed for Class I, Division 1, Groups C and D; Class II, Division 1, Groups E, F and G; Class I, Division 2, Groups A, B; and Class III
- Marine raated



## Description

The Model FSEX-HI explosion-proof strobe light produces 80 high-intensity flashes per minute. This warning light operates on 24VDC and is unique to the market because it covers an entire range of possible mounting configurations – including dome up. This light is designed for use in alarm notification systems and is compatible with fire alarm and suppression supervised control panels and power boosters.

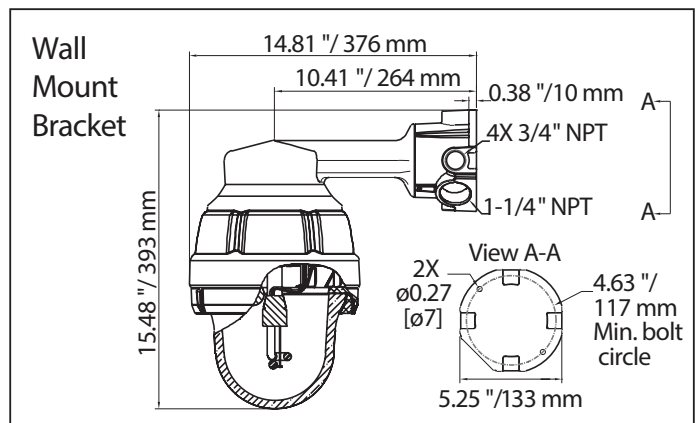
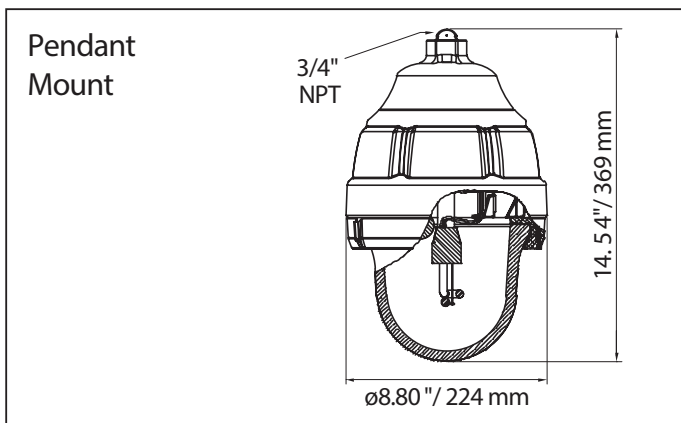
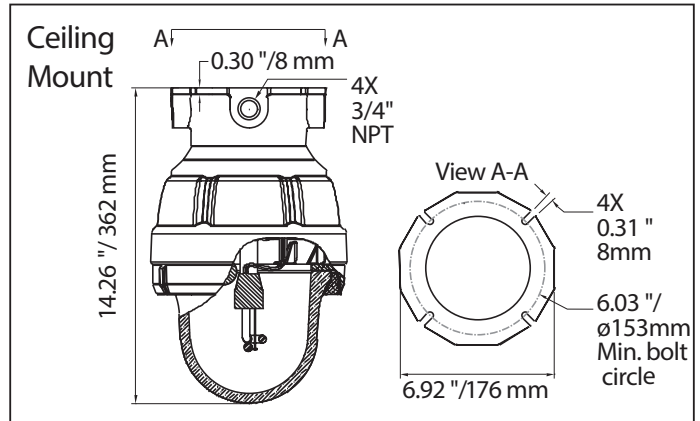
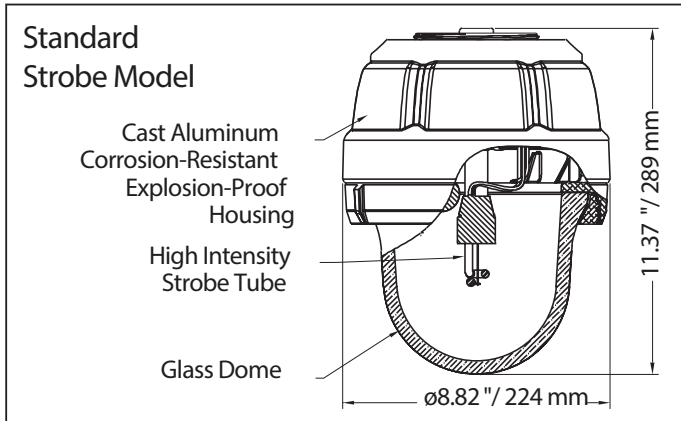
The 24VDC FSEX-HI features a voltage in-rush limiting PCB design that provides greater compatibility with factory automation control systems and less electrical interference with in-rush sensitive devices.

The Model FSEX is specifically designed for explosion-proof atmospheres and/or corrosive environments. Because it is easy to install and requires very low maintenance, it is ideal for use in areas such as oil rigs, mines, refineries, and chemical plants

## Technical Specifications

Operating Voltage	24 VDC polarized
Operating Current	1.90 amps (3.0 amps in-rush)
Flash Rate Per Minute	80
Candela peak*	2,000,000
Lamp Life	10,000 hours
Light Source	Strobe tube
Material	Cast Iron
Operating Temperature Range	-31°F to 150°F
Weight	Without mounting: 13.9 lbs Ceiling mount: 4.5 lbs Pendant mount: 2.0 lbs Wall mount: 5.9 lbs

\*Note: Peak candela is the maximum light intensity generated by a flashing light during its light pulse.



## Application

Alarm notification appliances shall be explosion-proof strobe lights. The unit shall be designed for use in hazardous locations. The strobe light circuitry shall be contained in a corrosion resistant powder coated finish applied over the copper free aluminum, explosion-proof housing. The entire unit shall have a red finish.

The strobe lights shall be capable of indoor or outdoor mounting. The strobe lights are UL Listed for: Class I, Groups A and B, Division 1 & 2; Class I, Groups C and D, Division I; Class II, Groups E, F and G, Division 1 & 2; Class III, Division 1 & 2, hazardous locations.

The strobe lights shall have an effective candle power of 850 candela. The strobe lights shall operate on 24 VDC with 1.9A current draw and be polarized for DC supervision. The strobe lights shall be NEMA Type 4X rated and also be approved as a marine visual signaling device. The strobe lights shall be UL 1971 Listed. Alarm notification appliances shall be CPG Signals Model FSEX Series B explosion-proof strobe lights.

## WARNING

- Installation must be performed by qualified personnel and in accordance with all national and local codes and ordinances.
- Shock hazard. Disconnect power source before servicing. Serious injury or death could result.
- Read all instructions carefully and understand them before starting installation. Save instructions for future use. Failure to read and understand instructions could result in improper operation of device resulting in serious injury or death.

Hazardous Locations				
Class	Group	Division	40°C	65°C
1	A, B	2	T2B	T2A
1	C, D	1 & 2	T6	T4A
2	E, F, G	1 & 2	T6	T4A
3		1 & 2	T6	T4A

## Ordering Information

Part Number	Ordering Part Number	Description
FSEX-CPG-HI-2	1430502	Explosion-Proof Strobe, 16-33 VDC, 1.9A, Red Housing, Clear Lens
DGXC-SB	1430508	Dome Guard
CMXC-R-SB	1400506	Ceiling Mount
WMXC-4R-SB	1420503	90 Degree Wall Mount
LITESFX01A	Call for part number	Strobe Tube (Series A2, B1)
SSM	1430509	Sync Module, 2 Strobes per circuit
PMXC-R-SB	1430507	Pendant Mount