

Features

- Potter's IntelliGen™ Controller (Patent Pending)
 - Fully automates the air fill and nitrogen fill procedure
 - Advance leak rate detection
 - Integrated Bypass alarm
 - Web Enabled – system can be monitored anywhere there is internet connectivity
 - Automatically emails trouble alerts and maintenance reminders
- 7.5 HP lubricated tank mounted air compressor included to meet NFPA 13 required 30 minutes fill for 2,400 gallon system at 40 PSI.
- Handles up to 24,000 gallons of total sprinkler system capacity (based on NFPA 13 allowable leak rate of 1.5 PSI per 24 hours for a new sprinkler system).
- Three individual skids – 80 gallon tank mounted air compressor, nitrogen cabinet and 120 gallon nitrogen tank.



Description

Potter's IntelliGen™ Series of Nitrogen Generators are specifically designed to generate on-site, 98%+ purity nitrogen for use in fire protection sprinkler systems. When used as a supervisory gas in fire sprinkler systems, nitrogen slows corrosion, improves the life of your system, and lowers maintenance costs.

The INS-2500 utilizes nitrogen membrane technology for gas separation. Nitrogen membranes are highly effective and a cost conscious way of producing on-site nitrogen. Acting as a gas filter, the nitrogen membrane separates the oxygen and water vapor molecules in the air from the nitrogen molecules. The high purity nitrogen gas is then piped through the air maintenance device and into the fire protection system. As the system fills with nitrogen, the remaining oxygen molecules in the fire protection system are exhausted by using the Potter IntelliPurge® Nitrogen Purge Valve. The Potter IntelliPurge® Nitrogen Purge Valve monitors the fire protection system to ensure high purity nitrogen is consistent throughout the sprinkler system.

The INS-2500 is to be connected to a new or existing fire sprinkler system. This system includes an air compressor, nitrogen membrane, all air filtration equipment, tanks and the Potter IntelliGen™ Controller.

The Potter IntelliGen™ Controller ensures the contractor the easiest setup and operation of any nitrogen generator system in the industry. Each unit is designed to be turned on and walk away. The built-in monitoring capabilities will make corrections and alert you to any necessary changes.

Technical Specifications

Compressor Package Size	74" H x 37" W x 24" D
Nitrogen Cabinet Size	70" H x 31" W x 13" D
Nitrogen Tank Size	77 1/4"H x 21" Ø
Compressor Package Weight	660 lbs
Nitrogen Cabinet Weight	260 lbs
Nitrogen Tank Weight	350 lbs
Air Compressor Power Supply* Available in:	200-208V (26.8A), 230-240V (22.3A), 460-480V (11.1A) three phase
Max Operating Pressure	175 PSI
Temperature Range	50°F (10°C) to 110°F (43°C)

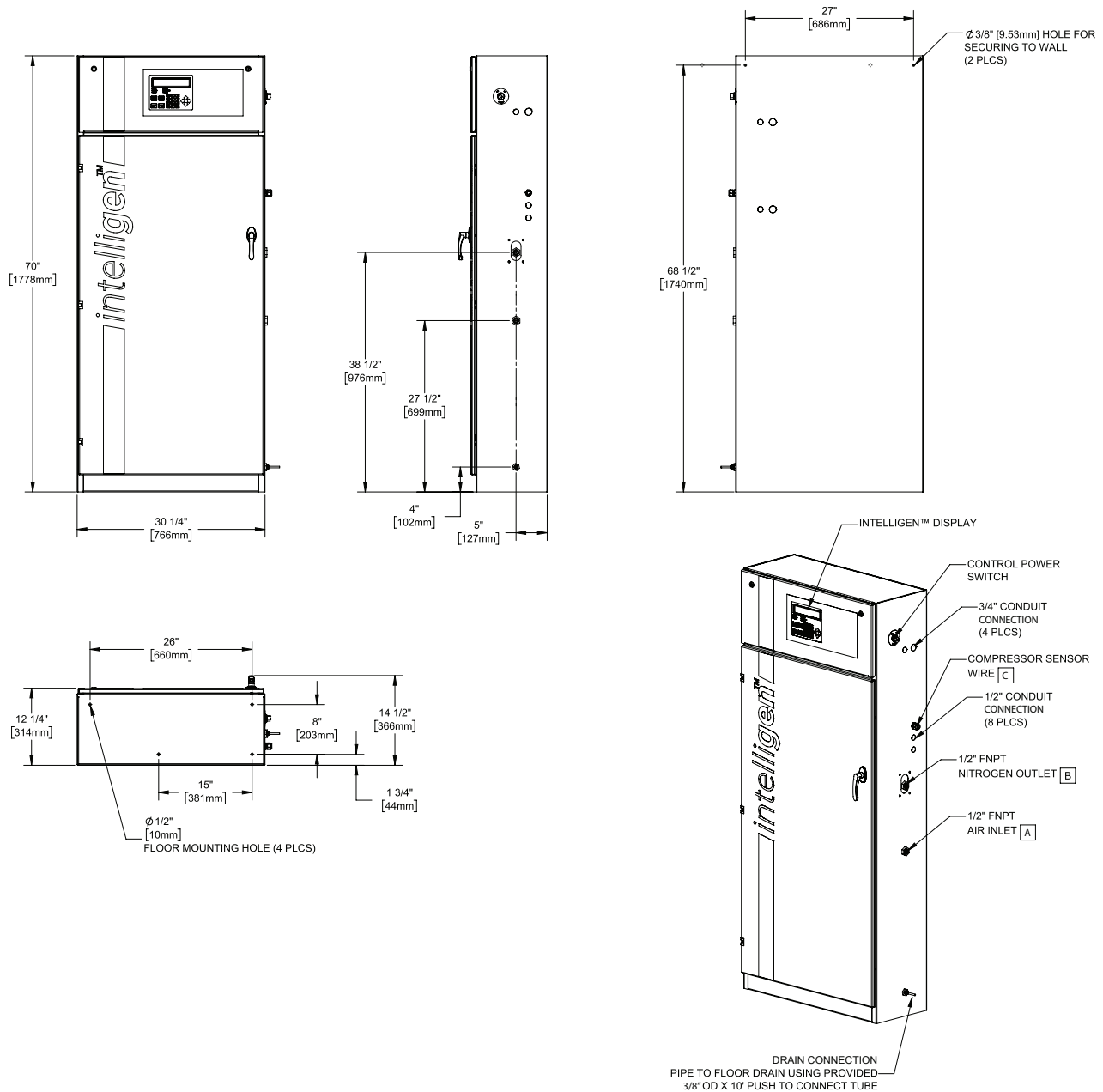
***Note:** Requires two (2) 120 V connections for nitrogen cabinet and air tank blow-down solenoid.

Installation

The Potter INS-2500 should be installed in a dry, clean, and well ventilated room with ambient temperatures above 50°F at all times. Allow access to the front for service and place the unit in a location that is conveniently located near fire sprinkler system connections, a drain, and a dedicated electrical connection. The Potter IntelliGen™ Nitrogen Generator should always be installed in an adequately ventilated room. Rapid release of nitrogen gas into an enclosed space displaces the oxygen and can cause an asphyxiation hazard. For detailed installation and operation instructions please refer to the Potter IntelliGen™ Nitrogen Generator Manual #5403646.

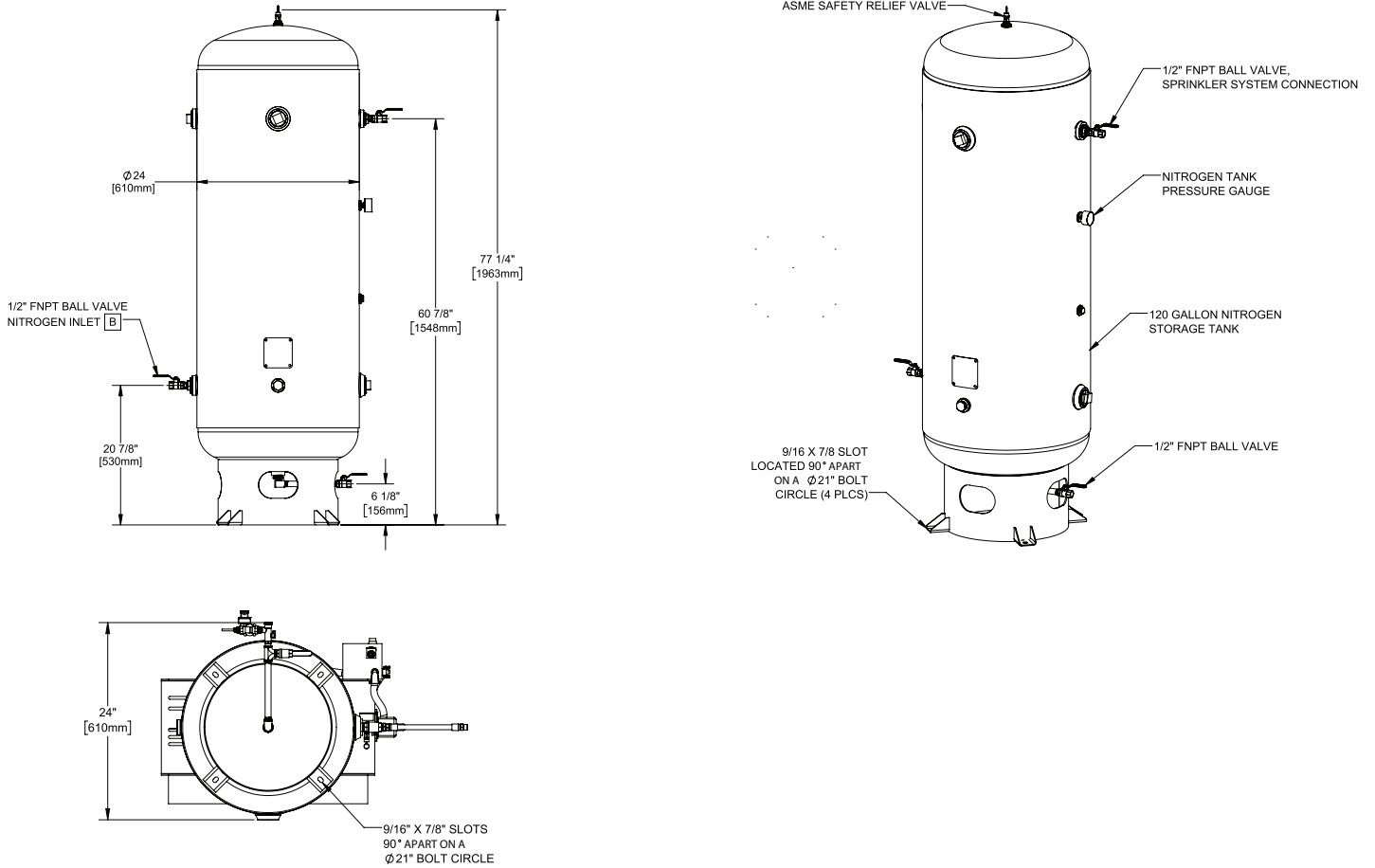
Cabinet Dimensions

Fig 1



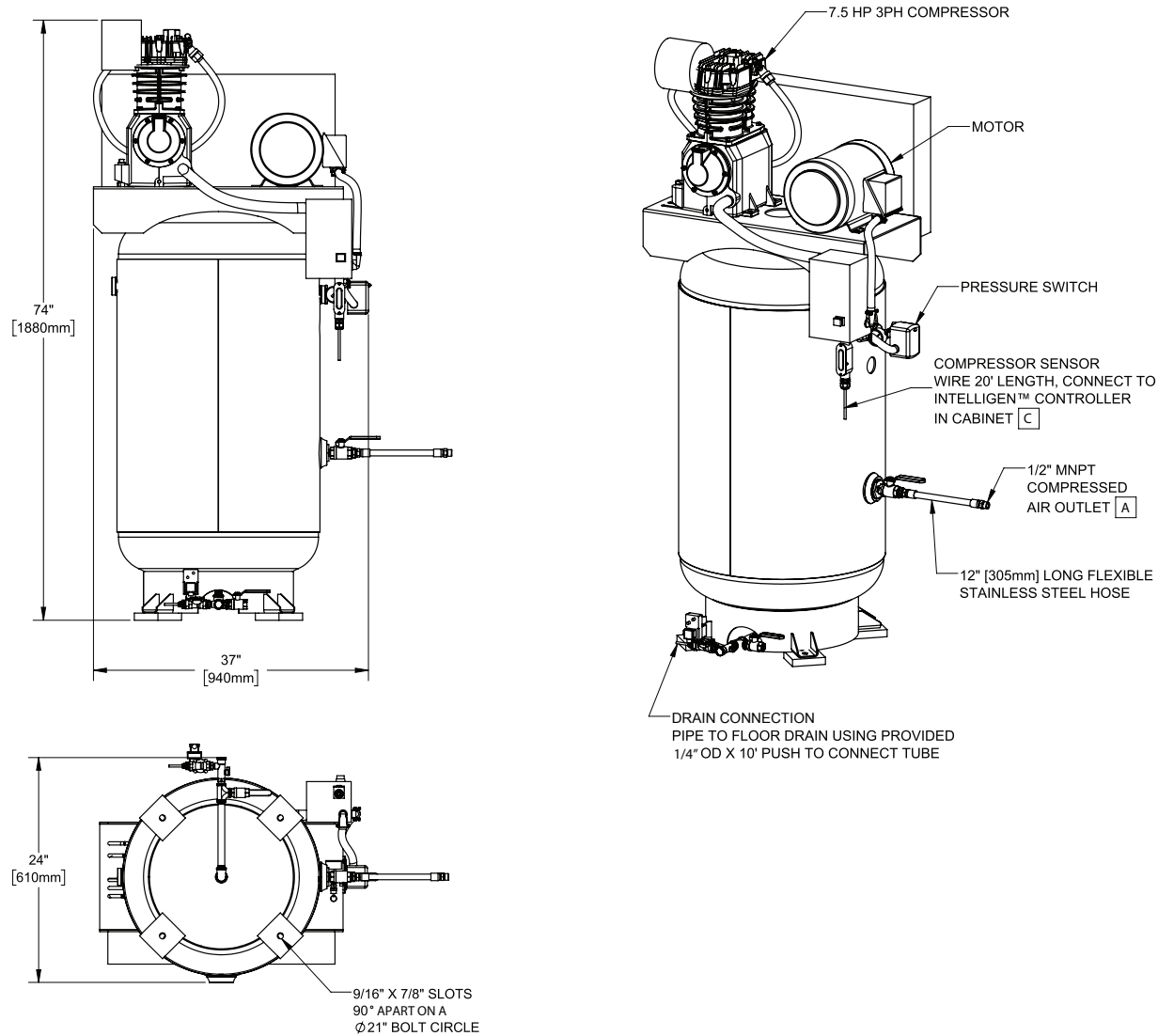
Tank Dimensions

Fig 2



Compressor Dimensions

Fig 3



Ordering Information

Part Number	Model	Description
1119647	INS-2500, 200-208VAC 3PH 60 HZ	IntelliGen™ Nitrogen System-2500, 200-208VAC Three Phase
1119648	INS-2500, 230-240VAC 3PH 60 HZ	IntelliGen™ Nitrogen System-2500, 230-240VAC Three Phase
1119649	INS-2500, 460-480VAC 3PH 60 HZ	IntelliGen™ Nitrogen System-2500, 460-480VAC Three Phase
1119478	INS-PV	IntelliPurge® Nitrogen Purge Valve
1119784	NGP-SPV	Potter Purge Valve
1119621	NGP-AMD-1	Potter Air Maintenance Device
1119504	PNA	Portable Nitrogen Analyzer