



MHT-1224 SERIES

ANSI/UL & CAN/ULC COMPLIANT
12/24VDC REMOTE AUDIBLE
SIGNALING APPLIANCE



ADDITIONAL CAN/ULC LISTED PRODUCT INFORMATION IS FOUND ON PAGE 2

I. INTRODUCTION

The Potter Electric MHT-1224 is a high-quality, remote, audible signaling appliance rated a minimum of 75-85dBA at 10 feet. This appliance is ideal for applications where a dependable alarm signal is required in hotels, dormitories, apartments, and other installations.

II. LOCATION

The appliance is intended for use in fire protective signaling systems and is to be installed in accordance with the applicable requirements of NFPA 72 and the local authorities having jurisdiction. The MHT-1224 is intended for indoor installation only. This appliance is **not** listed for outdoor applications.

III. INSTALLATION AND WIRING

Unit Dimensions: 2.84" Wide X 4.48" High X 0.5" Deep

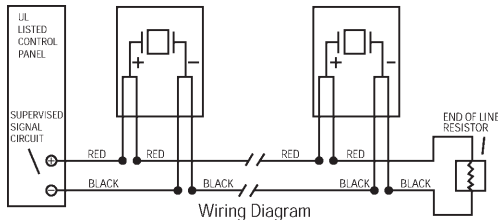
MOUNTING BOXES

- Handy Box: 4" x 2-1/8" (approx.)
- Switch Box: 3" x 2" (approx.) with conduit knockouts
- Masonry Box: 3-3/4" x 2"(approx.) with 1/2" and 3/4" concentric knockouts
- Non-Metallic Switch Box: 3-3/4" x 2-5/16" (approx.)

NOTICE: A MOUNTING BOX MUST BE INSTALLED FOR EACH REMOTE SIGNALING APPLIANCE.

WIRE CONNECTIONS

1. The MHT-1224 has two terminals for power-in and power-out supply circuits.
2. Make the wire connections as follows: Positive to the (+) terminal and negative to the (-) terminal.
3. Run a minimum 18-gauge insulated conductor from the signaling appliance in the system. Use ANSI/UL Listed Class 1 wire.



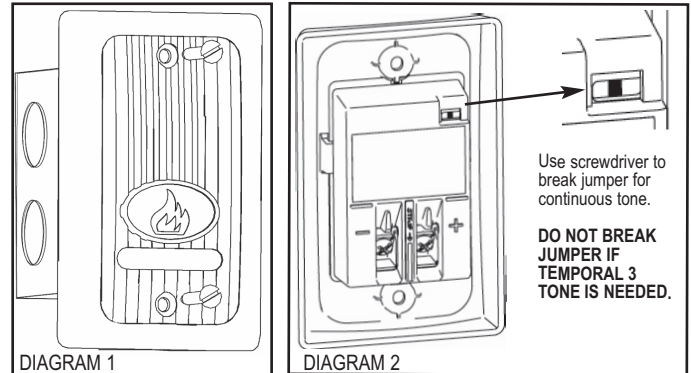
NOTICE:

- ♦ DO NOT USE LOOPED WIRE UNDER TERMINALS. BREAK WIRE RUN TO PROVIDE SUPERVISION OF CONNECTION.
 - ♦ VOLTAGE SUPPLIED TO SIGNAL WHEN THE PANEL IS LATCHED.
 - ♦ NFPA 72 REQUIRES THAT AN AUDIBLE SIGNAL APPLIANCE THAT EMITS A CONTINUOUS SIGNAL WHILE ENERGIZED HAVE A TEMPORAL PATTERN IMPOSED ON IT IF THE ALARM SIGNAL IS INTENDED TO EVACUATE THE BUILDING.
 - ♦ TO SYNCHRONIZE THE MHT-1224, USE THE AVSM CONTROL MODULE.
4. Install the MHT-1224 unit to the mounted rough-in box.
 5. Secure the unit to the box using the two mounting screws (supplied).

CAUTION: When installing, route field wiring away from sharp projections, corners, and internal components.

6. The MHT-1224 is a temporal 3 or continuous tone unit. The device is factory set in temporal 3 mode. To enable continuous tone, break jumper on back of unit as shown in DIAGRAM 2.

NOTICE: ONCE JUMPER HAS BEEN BROKEN, THE OPTION TO REVERT FROM CONTINUOUS TO TEMPORAL 3 TONE IS NOT POSSIBLE. DO NOT BREAK JUMPER IF TEMPORAL 3 TONE IS NEEDED.



IV. CHECKOUT AND TROUBLESHOOTING

1. Supply power to the system control panel. The auxiliary alarms in the system should not alarm.
 2. If alarm is heard:
 - a. Check all smoke and fire detection units in the system to make sure that they have not been activated.
 - b. Check all wiring connections to make sure detection circuits are not reversed or shorted together.
 3. To test the auxiliary alarms circuit, trip the alarm circuit at the main control panel or activate one of the fire detection units in the system. All auxiliary alarms should be activated.
 4. Always perform an operational test on this product on a regular basis after installation. Potter Electric suggests that this regularly scheduled testing be performed at least twice a year, or more often as may be dictated by the local authorities having jurisdiction.
- NOTICE:** THESE TESTING AND TROUBLESHOOTING INSTRUCTIONS ARE GENERALIZED. PLEASE REFER TO THE SYSTEM CONTROL PANEL OPERATING INSTRUCTIONS FOR PROPER OPERATION OF THE PANEL AND FIRE DETECTION SYSTEM.

WARNING

This appliance will not operate without electrical power. As fires frequently cause power interruptions, we suggest you discuss further safeguards with your local fire protection specialist.

VI. ELECTRICAL SPECIFICATIONS

MHT-1224 HORN DECIBEL RATINGS: REVERBERANT ROOM		
Horn Mode	Minimum SPL @ 10Ft. Per ANSI/UL464 @ 24VDC	Minimum SPL @ 10Ft. Per ANSI/UL464 @ 12VDC
Temporal 3 Tone	81 dBA	78 dBA
Continuous Tone	86 dBA	83 dBA

	HORN RATINGS OVER INPUT VOLTAGE RANGE OF 16-33V		HORN RATINGS OVER INPUT VOLTAGE RANGE OF 8-17.5V	
	Regulated 24VDC Max. Operating (mA)	Regulated 24VFWR Max. Operating (mA)	Regulated 12VDC Max. Operating (mA)	Regulated 12VFWR Max. Operating (mA)
Temporal 3	18	20	13	17
Continuous	21.1	20.7	7	10

NOTICE:

- ♦ DC VOLTAGE RANGE LIMITS: 8-17.5V AND 16-33V. FWR VOLTAGE RANGE LIMITS: 8-17.5V AND 16-33V. THIS PRODUCT WAS ONLY TESTED TO THE STATED VOLTAGE RANGE(S); DO NOT APPLY 80% AND 110% OF THIS RANGE FOR SYSTEM OPERATION.
- ♦ THE THREE PULSE TEMPORAL PATTERN IS TO BE USED FOR EVACUATION USE ONLY.
- ♦ THE SOUND OUTPUT FOR THE TEMPORAL 3 TONE IS RATED LOWER SINCE THE TIME THE HORN IS OFF IS AVERAGED INTO THE SOUND OUTPUT RATING. WHILE THE HORN IS PRODUCING A TONE IN THE TEMPORAL 3 MODE ITS SOUND PRESSURE IS THE SAME AS THE CONTINUOUS MODE. UNITS HAVE BEEN TESTED TO 0°C, 49°C AND 93% HUMIDITY.

VI. TO RETURN A MHT-1224 UNIT

Should you experience problems with your MHT-1224 unit, proceed as follows:

1. Turn off electrical power to the auxiliary alarm circuit.
2. Unscrew the unit from the mounting box.
3. Disconnect the MHT-1224 from the field wiring. Reconnect the two positive supply voltage circuits and the two negative supply voltage circuits of the auxiliary alarm circuit to maintain power to other auxiliary alarm appliances in the system.
4. Carefully pack the unit (the manufacturer cannot be responsible for consequential damage). Include your return address and complete details as to the nature of difficulties being experienced and the date of installation.
5. Prior to returning, contact Potter Electric Signal Company for RMA Number at 1-800-325-3936.

ADDITIONAL INSTRUCTIONS FOR REMOTE AUDIBLE SIGNALING APPLIANCE: CAN/ULC

PRODUCT INFORMATION

This appliance is intended to provide an audible for the purpose of life safety and property protection. The MHT-1224 horn is listed in compliance with CAN/ULC S525. This appliance is intended for use in Fire Alarm Systems and is to be installed in accordance with this manual, the National Building Code of Canada, CAN/ULC S524 and local codes that provide standards on notification appliances for protective signaling systems. Wiring is to be in accordance with CSA C22.1 Canadian Electrical Code, Part 1, Safety Standard for Electrical Installations, Sec. 32

Directional Sound Characteristic: MHT-1224 Horn

Horizontal Angle	
-3 dBA	❖
-6 dBA	❖
Vertical Angle	
-3 dBA	65
-6 dBA	25

❖ = NO MEASURED LOSS

CAN/ULC MHT-1224 CURRENT RATINGS

Mechanical Horn Mode	Horn Current Ratings Over Input Voltage Range of 16-33V	
	Regulated 24 VDC Max. Operating Current (mA)	Regulated 24 VFWR Max. Operating Current (mA)
Temporal 3	18	20
Continuous	21.1	20.7

MHT-1224 HORN DECIBEL RATINGS IN ULC ANECHOIC ROOM (dBA @ 3 meters)

Mechanical Horn Mode	Regulated 24 VDC Max. SPL Rating	Regulated 24 VFWR Max. SPL Rating	24 VDC Nominal SPL Rating	24 VFWR Nominal SPL Rating
Temporal 3	86.4	86.7	89.2	89.4
Continuous	89.3	90.5	88.7	89.6

NOTICE:

- THE NATIONAL BUILDING CODE AND CAN/ULC S525 REQUIRES THAT ALL HORNS USED FOR BUILDING EVACUATION PRODUCE TEMPORAL CODED SIGNALS.
- THE SOUND OUTPUT FOR THE TEMPORAL 3 TONE IS RATED LOWER SINCE THE TIME THE HORN IS OFF IS AVERAGED INTO THE SOUND OUTPUT RATING. UNITS HAVE BEEN TESTED TO 0°C, 49°C AND 93% HUMIDITY.

LIMITED WARRANTY

For a period of 60 months from the date of manufacture (or as long as required by applicable law), Potter Electrical Signal Company, LLC warrants to you the original purchaser that your appliance will be free from defects in workmanship and materials under normal use and service.

This warranty does not apply and is void if damage or failure is caused by: accident, abuse, misuse, abnormal use, faulty installation, liquid contact, fire, earthquake or other external cause; operating the appliance outside Potter Electrical Signal Company, LLC's published guidelines; or service, alteration, maintenance or repairs performed by anyone other than Potter Electrical Signal Company, LLC. This warranty also does not apply to: consumable parts, such as batteries; cosmetic damage, including but not limited to scratches or dents; defects caused by normal wear and tear or otherwise due to the normal aging of the appliance, or if any serial number has been removed or defaced from the appliance.

TO THE EXTENT PERMITTED BY LAW, THIS WARRANTY AND THE REMEDIES SET FORTH HEREIN ARE EXCLUSIVE AND IN LIEU OF ALL OTHER WARRANTIES, REMEDIES AND CONDITIONS, WHETHER ORAL, WRITTEN, STATUTORY, EXPRESS OR IMPLIED. POTTER ELECTRICAL SIGNAL COMPANY, LLC DISCLAIMS ALL STATUTORY AND IMPLIED WARRANTIES, INCLUDING WITHOUT LIMITATION, WARRANTIES OF MERCHANTABILITY AND FITNESS FOR A PARTICULAR PURPOSE AND WARRANTIES AGAINST HIDDEN OR LATENT DEFECTS TO THE EXTENT PERMITTED BY LAW. TO THE EXTENT SUCH WARRANTIES CANNOT BE DISCLAIMED, SUCH IMPLIED WARRANTIES SHALL APPLY ONLY FOR THE WARRANTY PERIOD SPECIFIED ABOVE. PLEASE NOTE THAT SOME STATES (COUNTRIES AND PROVINCES) DO NOT ALLOW LIMITATION ON HOW LONG AN IMPLIED WARRANTY (OR CONDITION) LASTS. SO THE ABOVE LIMITATION MAY NOT APPLY TO YOU. EXCEPT AS PROVIDED IN THIS WARRANTY AND TO THE EXTENT PERMITTED BY LAW, POTTER ELECTRICAL SIGNAL COMPANY, LLC WILL NOT BE LIABLE FOR ANY DIRECT, SPECIAL, INCIDENTAL OR CONSEQUENTIAL DAMAGES RESULTING FROM ANY BREACH OF WARRANTY OR CONDITION, OR ARISING IN CONNECTION WITH THE SALE, USE OR REPAIR OF THE APPLIANCE, OR UNDER ANY OTHER LEGAL THEORY, INCLUDING BUT NOT LIMITED TO LOSS OF USE, LOSS OF REVENUE, LOSS OF ACTUAL OR ANTICIPATED PROFITS, LOSS OF THE USE OF MONEY, LOSS OF BUSINESS, LOSS OF OPPORTUNITY, LOSS OF GOODWILL, AND LOSS OF REPUTATION. THE MAXIMUM LIABILITY OF POTTER ELECTRICAL SIGNAL COMPANY, LLC SHALL NOT IN ANY CASE EXCEED THE PURCHASE PRICE PAID BY YOU FOR THE APPLIANCE. PLEASE NOTE THAT SOME STATES (COUNTRIES AND PROVINCES) DO NOT ALLOW THE EXCLUSION OR LIMITATION OF INCIDENTAL OR CONSEQUENTIAL DAMAGES, SO THE ABOVE LIMITATION OR EXCLUSION MAY NOT APPLY TO YOU.

If a defect in workmanship or materials causes your appliance to become inoperable within the warranty period, you must return the appliance to Potter Electrical Signal Company, LLC postage prepaid to: Potter Electrical Signal Company, LLC, 1609 Park 370, Hazelwood MO 63042. You must prove to the satisfaction of Potter Electrical Signal Company, LLC the date of purchase of your appliance. You must also enclose a return address. Warranty service may only be performed by Potter Electrical Signal Company, LLC personnel at Potter Electrical Signal Company, LLC's facilities in Hazelwood, Missouri. You must also pack the appliance to minimize the risk of it being damaged in transit. If we receive an appliance in a damaged condition as the result of shipping, we will notify you and you must seek a claim with the shipper.

If you submit a valid claim to Potter Electrical Signal Company, LLC during the warranty period, Potter Electrical Signal Company, LLC will, at its option, repair your appliance or furnish you with a new or rebuilt appliance without charge to you except for postage required to return the appliance to us. Potter Electrical Signal Company, LLC will not reimburse you for repairs or replacement parts provided by other parties. Your repaired or replacement appliance will be returned to you free of charge and it will be covered under the warranty for the balance of the warranty period, if any. When a product or part is replaced, any replacement item becomes your property and the replaced item becomes property of Potter Electrical Signal Company, LLC. For additional warranty and product information go to www.pottersignal.com.

THIS WARRANTY GIVES YOU SPECIFIC LEGAL RIGHTS AND YOU MAY ALSO HAVE OTHER RIGHTS WHICH VARY FROM STATE TO STATE (OR BY COUNTRY OR PROVINCE). BY THIS WARRANTY, POTTER ELECTRICAL SIGNAL COMPANY, LLC DOES NOT LIMIT OR EXCLUDE YOUR RIGHTS EXCEPT AS ALLOWED BY LAW. TO FULLY UNDERSTAND YOUR RIGHTS, YOU SHOULD CONSULT THE LAWS OF YOUR COUNTRY, PROVINCE OR STATE.

Important Notice:

These materials have been prepared by Potter Electrical Signal Company, LLC ("Potter") for informational purposes only, are necessarily summary, and are not purported to serve as legal advice and should not be used as such. Potter makes no representations and warranties, express or implied, that these materials are complete and accurate, up-to-date, or in compliance with all relevant local, state and federal laws, regulations and rules. The materials do not address all legal considerations as there is inevitable uncertainty regarding interpretation of laws, regulations and rules and the application of such laws, regulations and rules to particular fact patterns. Each person's activities can differently affect the obligations that exist under applicable laws, regulations or rules. Therefore, these materials should be used only for informational purposes and should not be used as a substitute for seeking professional legal advice. Potter will not be responsible for any action or failure to act in reliance upon the information contained in this material.

550-0595-AAB

Potter Electric Signal Company, LLC
1609 Park 370, Hazelwood, MO 63042
Phone: 800-325-3936
www.pottersignal.com

Manual Issue Date:
02/01/13

POUR DES RENSEIGNEMENTS SUPPLÉMENTAIRES SUR L'HOMOLOGATION CAN/ULC DU PRODUIT, VOIR LA PAGE 2.

I. INTRODUCTION

Le MHT-1224 de Potter Electric est un appareil de signalisation sonore à distance de grande qualité d'une capacité sonore nominale minimum de 75 à 85 dBA à 10 pieds. Cet appareil convient parfaitement aux hôtels, aux dortoirs, aux appartements et aux autres installations exigeant un moyen d'alarme fiable.

II. EMBLACEMENT

Cet appareil est destiné à l'intégration aux systèmes d'alarme incendie et doit être installé conformément au présent manuel, aux recommandations des autorités compétentes locales et aux normes NFPA établissant les normes pour les appareils de signalisation des systèmes de signaux de protection. Le MHT-1224 est homologué conformément à la norme ANSI/UL 464. Il est destiné à être installé uniquement à l'intérieur. Cet appareil n'est pas homologué pour les applications extérieures ni pour les endroits exposés.

III. INSTALLATION ET BRANCHEMENT

Dimensions de l'appareil : 2,84 po de largeur x 4,48 po de hauteur x 0,5 po de profondeur

BOÎTES DE MONTAGE

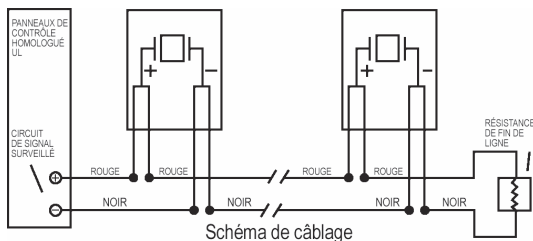
Boîte pratique : 4 po x 2 1/8 po (environ)
Boîte d'interrupteur : 3 po x 2 po (environ) avec alvéoles défonçables pour conduit
Boîte pour maçonnerie : 3 3/4 po x 2 po (environ) avec alvéoles défonçables concentriques de 1/2 po et 3/4 po

Boîte d'interrupteur non métallique : 3 3/4 po x 2 5/16 po (environ)

AVIS : IL FAUT INSTALLER UNE BOÎTE DE MONTAGE POUR CHAQUE APPAREIL DE SIGNALISATION À DISTANCE.

BRANCHEMENT DES FILS

- Le MHT-1224 est doté de deux bornes pour les fils d'alimentation d'entrée et de sortie.
- Procéder aux branchements comme suit : Le fil positif sur la borne (+) et le fil négatif sur la borne (-).
- Poser un câble de calibre minimum de 18 doté de conducteurs isolés entre l'appareil de signalisation et le système. Utiliser un fil de Classe 1, homologué ANSI/UL.



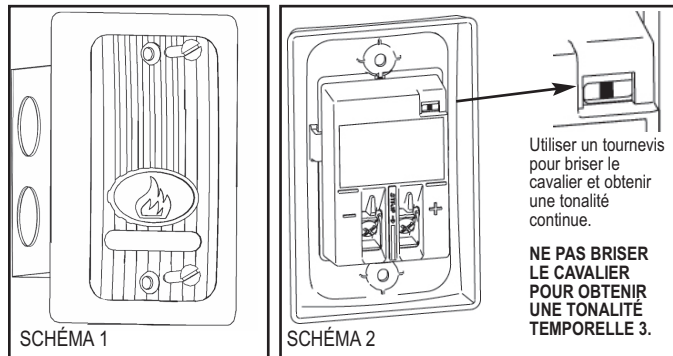
AVIS :

- NE PAS BOUCLER LES FILS SOUS LES BORNES. SÉPARER LES SEGMENTS DE CÂBLE POUR ASSURER LA SUPERVISION DE LA CONNEXION.
- LA TENSION EST TRANSMISE À L'APPAREIL DE SIGNALISATION LORSQUE LE PANNEAU EST VERROUILLÉ.
- LA NORME NFPA 72 EXIGE QU'UN APPAREIL DE SIGNALISATION SONORE QUI ÉMET UNE TONALITÉ CONTINUE LORSQU'IL EST DÉCLENCHÉ DIFFUSE UNE TONALITÉ SACCADÉE LORSQUE LE SIGNAL D'ALARME VISE À FAIRE ÉVACUER LE BÂTIMENT.
- UTILISER LE MODULE DE COMMANDE AVSM POUR SYNCHRONISER LE MHT-1224.
- Installer le MHT-1224 sur la boîte électrique.
- Fixer l'appareil à la boîte au moyen des deux vis de montage (fournies).

AVERTISSEMENT : Lors de l'installation, faire passer les fils à l'écart des saillies, des coins et des composants internes acérés.

- Le MHT-1224 est un appareil qui diffuse une tonalité continue ou saccadée (de type temporel 3). L'appareil est réglé en usine pour le mode temporel 3. Pour activer la tonalité continue, briser le cavalier à l'arrière de l'appareil, comme illustré dans le SCHÉMA 2.

AVIS : UNE FOIS LE CAVALIER BRISÉ, IL N'EST PLUS POSSIBLE DE REVENIR AU MODE TEMPOREL 3. NE PAS BRISER LE CAVALIER SI VOUS DEVEZ UTILISER LE MODE TEMPOREL 3.



IV. VÉRIFICATION ET DÉPANNAGE

- Alimenter le panneau de commande du système. Les dispositifs d'alarme auxiliaires du système ne devraient pas se déclencher.
 - S'ils se déclenchent :
 - Vérifier tous les détecteurs de fumée et d'incendie du système pour s'assurer qu'ils n'ont pas été activés.
 - Vérifier tous les branchements pour s'assurer que les circuits de détection ne sont pas inversés ou court-circuités.
 - Pour faire l'essai du circuit d'alarme auxiliaire, déclencher le circuit d'alarme au panneau de commande principal ou activer l'un des appareils de détection d'incendie du système. Tous les dispositifs d'alarme auxiliaires devraient être activés.
 - Effectuer toujours des essais opérationnels périodiques de ce produit après son installation. Potter Electric recommande de faire un tel essai périodique au moins deux fois par année, ou selon une fréquence supérieure en fonction des exigences des autorités compétentes
- AVIS : LES PROCÉDURES D'ESSAI ET LES DIRECTIVES DE DÉPANNAGE SONT DE NATURE GÉNÉRALE. SE REPORTER AUX INSTRUCTIONS D'UTILISATION DU PANNEAU DE COMMANDE DU SYSTÈME POUR CONNAÎTRE LE FONCTIONNEMENT APPROPRIÉ DU PANNEAU ET DU SYSTÈME DE DÉTECTION D'INCENDIE.

AVERTISSEMENT

Cet appareil ne fonctionne pas sans alimentation électrique. Comme les incendies entraînent souvent des pannes de courant, nous vous recommandons de discuter de mesures de protection supplémentaires avec le spécialiste local en protection incendie.

V. CARACTÉRISTIQUES ÉLECTRIQUES

CARACTÉRISTIQUES SONORES DE L'AVERTISSEUR MHT-1224 : PIÈCE RÉVERBÉRANTE		
Mode de l'avertisseur	dBnps minimum à 10 pieds selon la norme ANSI/UL464 à 24 V c.c.	dBnps minimum à 10 pieds selon la norme ANSI/UL464 à 12 V c.c.
Mode Temporel 3	81 dBA	78 dBA
Tonalité continue	86 dBA	83 dBA

	CARACTÉRISTIQUES NOMINALES DE L'AVERTISSEUR POUR UNE PLAGE DE TENSIONS D'ENTRÉE DE 16 à 33 V		CARACTÉRISTIQUES NOMINALES DE L'AVERTISSEUR POUR UNE PLAGE DE TENSIONS D'ENTRÉE DE 8 à 17,5 V	
	Tension stabilisée maximum de 24 V c.c. Courant de fonctionnement (mA)	Tension stabilisée maximum de 24 V RDA Courant de fonctionnement (mA)	Tension stabilisée maximum de 12 V c.c. Courant de fonctionnement (mA)	Tension stabilisée maximum de 12 V RDA Courant de fonctionnement (mA)
Temporel 3	18	20	13	17
Continue	21,1	20,7	7	10

AVIS :

- LIMITES DE LA PLAGE DE TENSIONS C.C. : 8 à 17,5 V ET 16 à 33 V. LIMITES DE LA PLAGE DE TENSIONS RDA : 8 à 17,5 V ET 16 à 33 V. CE PRODUIT A UNIQUEMENT FAIT L'OBJET D'ESSAI POUR LES PLAGES DE TENSIONS INDIQUÉES; IL NE FAUT PAS FAIRE FONCTIONNER LE PRODUIT AVEC DES VALEURS CORRESPONDANT À 80 % ET 110 % DE CES PLAGES.
- LE MODE TEMPOREL À TROIS TONALITÉS DOIT ÊTRE UTILISÉ UNIQUEMENT POUR L'ÉVACUATION.
- LA PUISSANCE SONORE NOMINALE DU MODE TEMPOREL À 3 TONALITÉS EST INFÉRIEURE PARCE QUE LE TEMPS QUE L'AVERTISSEUR EST MUET EST AJOUTÉ À LA MOYENNE DE LA PUISSANCE SONORE. LORSQUE L'AVERTISSEUR ÉMET UNE TONALITÉ EN MODE TEMPOREL À 3 TONALITÉS, LA PRESSION ACOUSTIQUE EST IDENTIQUE À CELLE DU MODE CONTINU. LES APPAREILS ONT FAIT L'OBJET D'ESSAI À 0 °C ET À 49 °C, À UNE HUMIDITÉ DE 93 %.

VI. POUR RETOURNER UN MHT-1224

En cas de problème avec votre appareil MHT-1224, procéder comme suit :

1. Couper l'alimentation électrique du circuit d'alarme auxiliaire.
2. Dévisser l'appareil de la boîte de montage.
3. Débrancher l'appareil MHT-1224 de l'alimentation. Rebrancher les deux circuits d'alimentation positifs et les deux circuits d'alimentation négatifs du circuit d'alarme auxiliaire pour assurer l'alimentation des autres dispositifs d'alarme auxiliaires du système.
4. Emballer avec soin l'appareil défectueux (le fabricant n'est pas tenu responsable des dommages indirects attribuables à l'expédition ou aux erreurs de manutention). Indiquer votre adresse et décrire en détail la nature du problème et la date d'installation.
5. Avant de retourner l'appareil, communiquer avec Potter Electric au 1 800 325-3936 pour obtenir un numéro d'autorisation de retour (RMA).

DIRECTIVES SUPPLÉMENTAIRES POUR LES APPAREILS DE SIGNALISATION SONORES À DISTANCE : CAN/ULC

RENSEIGNEMENTS SUR LE PRODUIT

Cet appareil est conçu pour émettre un signal d'avertissement sonore pour assurer la sécurité des personnes et la protection matérielle. L'avertisseur MHT-1224 est homologué conformément à la norme CAN/ULC S525. Cet appareil est destiné à l'utilisation dans des systèmes d'alarme incendie et doit être installé conformément aux directives du présent manuel, du Code du bâtiment canadien, de la norme CAN/ULC S524 et des codes locaux établissant les normes pour les appareils de signalisation des systèmes de signaux de protection. Le câblage doit être conforme au Code canadien de l'électricité C22.1, Partie 1, Safety Standard for Electrical Installations, Sec. 32.

Caractéristiques sonores directionnelles : Avertisseur MHT-1224

	Angle horizontal
-3 dBA	❖
-6 dBA	❖
	Angle vertical
-3 dBA	65
-6 dBA	25

❖ = AUCUNE PERTE MESURÉE

CARACTÉRISTIQUES NOMINALES DE COURANT CAN/ULC POUR LE MHT-1224

Tonalité mécanique de l'avertisseur	Caractéristiques nominales de courant de l'avertisseur pour une plage de tensions d'entrée de 16 à 33 V	
	Tension stabilisée maximum de 24 V c.c. Courant de fonctionnement (mA)	Tension stabilisée maximum de 24 V RDA Courant de fonctionnement (mA)
Temporel 3	18	20
Continue	21,1	20,7

CARACTÉRISTIQUES SONORES NOMINALES EN DECIBELS DE L'AVERTISSEUR MHT-1224 DANS UNE CHAMBRE ANÉCHOÏQUE ULC (dBA à 3 mètres)

Tonalité mécanique de l'avertisseur	Tension stabilisée maximum de 24 V c.c. Caractéristiques nominales dBnps	Tension stabilisée maximum de 24 V c.c. Caractéristiques nominales dBnps	24 V c.c. nominal dBnps nominal	24 V RDA nominal dBnps nominal
Temporel 3	86,4	86,7	89,2	89,4
Continue	89,3	90,5	88,7	89,6

AVIS :

- LE CODE NATIONAL DU BÂTIMENT ET LA NORME CAN/ULC S525 EXIGENT QUE TOUS LES AVERTISSEURS DESTINÉS À L'ÉVACUATION DU BÂTIMENT DIFFUSENT DES SIGNAUX TEMPORÉLS CODIFIÉS.
- LA PUISSANCE SONORE NOMINALE DU MODE TEMPORÉL À 3 TONALITÉS EST INFÉRIEURE PARCE QUE LE TEMPS QUE L'AVERTISSEUR EST MUET EST AJOUTÉ À LA MOYENNE DE LA PUISSANCE SONORE NOMINALE. LES APPAREILS ONT FAIT L'OBJET D'ESSAIS À 0 °C ET À 49 °C, À UNE HUMIDITÉ DE 93 %.

GARANTIE LIMITÉE

Potter Electrical Signal Company, LLC garantit à l'acheteur initial que, dans des conditions normales d'utilisation et d'entretien, l'appareil sera exempt de tout défaut de fabrication ou de matériaux pendant 60 mois à compter de la date de fabrication (ou pendant aussi longtemps que l'exigent les lois applicables).

Cette garantie est nulle et sans effet lorsque les dommages ou la défectuosité sont attribuables : à un accident, un usage abusif, un abus, une utilisation anormale, une installation fautive, un contact avec un liquide, un incendie, un séisme ou toute autre cause externe; à l'utilisation de l'appareil en dehors des directives établies par Potter Electric Signal Company, LLC; à l'entretien, la modification, la maintenance ou la réparation effectuée par toute autre entreprise que Potter Electric Signal Company, LLC. Cette garantie ne s'applique pas non plus : aux pièces consommables, comme les piles; aux dommages cosmétiques, y compris, mais sans en exclure d'autres, aux égratignures ou bosses; aux défaillances attribuables à l'usure normale ou au vieillissement normal de l'appareil; si le numéro de série de l'appareil a été supprimé ou altéré.

DANS LES LIMITES AUTORISÉES PAR LA LOI, LA PRÉSENTE GARANTIE ET LES RECOURS QUI Y SONT DÉFINIS SONT EXCLUSIFS ET REMPLACENT TOUTE AUTRE GARANTIE, RECOURS ET CONDITION, QU'ELLES SOIENT ORALES, ÉCRITES, LÉGALES, EXPRESSES OU IMPLICITES. POTTER ELECTRICAL SIGNAL COMPANY, LLC DÉCLINE TOUTE GARANTIE LÉGALE ET IMPLICITE, Y COMPRIS, MAIS NON DE FAÇON LIMITATIVE, TOUTE GARANTIE DE COMMERCIALITÉ OU D'ADAPTATION À UN USAGE PARTICULIER AINSI QUE LES GARANTIES CONTRE LES VICES CACHÉS OU LES DÉFAUTS LATENTS. DANS LES LIMITES AUTORISÉES PAR LA LOI, DANS LA MESURE OÙ DE TELLES GARANTIES NE PEUVENT ÊTRE DÉCLINÉES, TOUTE GARANTIE IMPLICITE S'APPLIQUE UNIQUEMENT À LA PÉRIODE DE GARANTIE INDIQUÉE PLUS HAUT. À NOTER QUE CERTAINS ÉTATS (PAYS ET PROVINCES) N'ACCEPTENT PAS LES LIMITATIONS QUANT À LA DURÉE DES GARANTIES (OU DES CONDITIONS) IMPLICITES. IL SE PEUT DONC QUE LES LIMITATIONS CI-DESSUS NE S'APPLIQUENT PAS DANS VOTRE CAS. DANS LA MESURE OÙ CELA N'EST PAS EXCLU DANS LA PRÉSENTE GARANTIE ET DANS LES LIMITES AUTORISÉES PAR LA LOI, POTTER ELECTRICAL SIGNAL COMPANY, LLC NE POURRA ÊTRE TENU RESPONSABLE DES DOMMAGES DIRECTS, SPÉCIAUX, INDIRECTS OU CONSÉCUTIFS DÉCOULANT DE TOUT BRIS OU CONDITION DE LA GARANTIE OU PORTANT SUR LA VENTE, L'UTILISATION OU LA RÉPARATION DE L'APPAREIL, OU DE TOUTE AUTRE THÉORIE LÉGALE, Y COMPRIS, MAIS SANS EN EXCLURE D'AUTRES, DE LA PERTE D'USAGE, DE REVENUS OU DE PROFITS RÉELS OU ANTICIPÉS, DE LA PERTE D'UTILISATION DES FONDS, D'AFFAIRES OU D'OCCASIONS, DE LA PERTE DE CLIENTÈLE OU DE L'ATTEINTE À LA RÉPUTATION. LA RESPONSABILITÉ MAXIMALE DE POTTER ELECTRICAL SIGNAL COMPANY, LLC NE PEUT EN AUCUN CAS ÊTRE SUPÉRIEURE AU PRIX D'ACHAT DE L'APPAREIL. VEUILLEZ NOTER QUE CERTAINS ÉTATS (PAYS ET PROVINCES) N'AUTORISENT PAS L'EXCLUSION OU LA LIMITATION DES DOMMAGES ACCIDENTELS OU CONSÉCUTIFS, DE SORTE QUE LES LIMITATIONS OU EXCLUSIONS CI-DESSUS POURRAIENT NE PAS S'APPLIQUER DANS VOTRE CAS.

Si un défaut de fabrication ou de matériau entraîne la défaillance de votre appareil pendant la période de garantie, vous devez le retourner à Potter Electrical Signal Company, LLC, port payé, à l'adresse suivante : Potter Electrical Signal Company, LLC, 1609 Park 370, Hazelwood MO 63042. Vous devez apporter la preuve de la date d'achat de l'appareil, à la satisfaction de Potter Electrical Signal Company, LLC. Vous devez aussi fournir votre adresse pour le retour de l'appareil. Le service sous garantie peut être uniquement exécuté par le personnel de Potter Electrical Signal Company, LLC, dans les installations de Potter Electrical Signal Company, LLC de Hazelwood au Missouri. Il faut aussi emballer soigneusement l'appareil pour réduire au minimum les risques de dommage pendant le transport. Si nous recevons un appareil endommagé en cours de transport, nous vous en aviserons et il vous reviendra d'obtenir dédommagement de la part du transporteur.

Si vous transmettez une demande valable à Potter Electrical Signal Company, LLC pendant la période de garantie, Potter Electrical Signal Company, LLC assumera, sans frais et à sa discrétion, la réparation de votre appareil ou vous fournira un appareil neuf ou remis à neuf; vous n'aurez qu'à assumer les frais d'acheminement de l'appareil par la poste. Potter Electrical Signal Company, LLC ne s'engage pas à rembourser les frais des pièces de rechange ou des réparations effectuées par d'autres parties. L'appareil réparé ou de remplacement vous sera retourné sans frais et il sera couvert en vertu de la garantie pendant la période de garantie résiduelle, le cas échéant. Lors du remplacement d'un produit ou d'une pièce, l'élément de remplacement devient votre propriété tandis que l'élément remplacé devient la propriété de Potter Electrical Signal Company, LLC. Pour de plus amples renseignements sur la garantie ou le produit, visitez www.pottersignal.com.

LA PRÉSENTE GARANTIE VOUS ACCORDE DES DROITS PARTICULIERS, MAIS IL SE POURRAIT QUE VOUS AYEZ AUSSI D'AUTRES DROITS, QUI VARIENT D'UN ÉTAT (OU PAYS OU PROVINCE) À L'AUTRE. DANS LA PRÉSENTE GARANTIE, POTTER ELECTRICAL SIGNAL COMPANY, LLC NE LIMITE PAS VOS DROITS ET N'EN EXCLUT AUCUN, DU MOINS DANS LES LIMITES AUTORISÉES PAR LA LOI. POUR BIEN COMPRENDRE VOS DROITS, VOUS DEVRIEZ CONSULTER LA LÉGISLATION DE VOTRE PAYS, PROVINCE OU ÉTAT.

Avis important :

Ces renseignements ont été préparés par Potter Electrical Signal Company, LLC (ci-après « Potter ») à titre informatif uniquement; ils sont de nature sommaire et ne constituent nullement des avis juridiques et ne doivent pas être utilisés à une telle fin. À cet égard, Potter ne fait aucune représentation ni garantie, explicite ou implicite, que ces renseignements sont exhaustifs et exacts, à jour, ou conformes aux lois, règlements ou règles locaux, provinciaux ou fédéraux. Ces renseignements ne tiennent pas compte de toutes les considérations juridiques, en raison des inévitables incertitudes quant à l'interprétation des lois et règlements et à la mise en application de ces lois et règlements en fonction des situations particulières. Les activités de chaque personne peuvent modifier les obligations pertinentes en vertu des lois ou des règlements en vigueur. Par conséquent, ces renseignements ne doivent être utilisés qu'à des fins informationnelles et ne doivent pas servir à remplacer un avis juridique professionnel. Potter n'assumera aucune responsabilité quant aux mesures ou activités qui pourraient être, ou ne pas être, prises ou effectuées à la suite de ces renseignements.