

Features

- Industry leading 4 line by 40 Character LCD
- Common buttons for navigation
- Common LEDs for status indication
- 31 annunciator per panel
- Maximum wire length of 6,500 feet
- Available in 4 colors
- Product includes a 5 year warranty



Description

The RA-6500R is a LCD remote annunciator for the PFC-6000 series fire control panels. The RA-6500R communicates using a RS-485 connection to the main panel providing common indication of Alarms, Supervisory, Trouble and other system status and control functions.

The RA-6500R features a 4x40 LCD display with LED's for Power, Alarm, Supervisory, Trouble, and Silenced conditions. It can be mounted on a single gang electrical box or a four square electrical box. The annunciator is enclosed in a sheet metal enclosure and has a Potter lock securing the keypad.

Technical Specifications

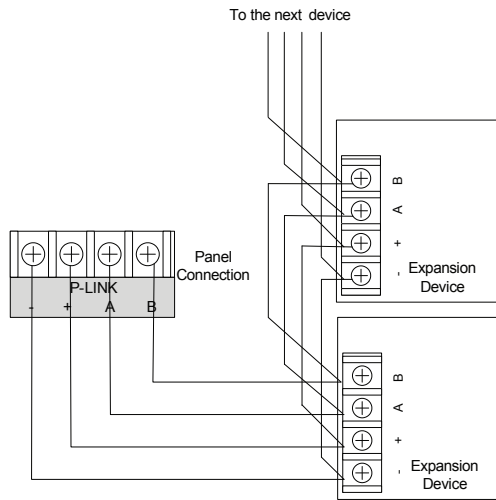
Standby Current	20 mA
Alarm Current	25 mA
Operating Temperature	0°C-49°C (32°F-120°F)
Operating Humidity Range	10%-93% @ 30°C (86°F) non condensing humidity
Maximum Wire Length	6500 ft.
Maximum Annunciators	31
Size (WxHxD)	10" x 7-7/8" x 1-5/8"
Wire Gauge	14 AWG-22 AWG

Installation

The RA-6500R is connected to the PFC-6000 series fire control panels using a four wire RS-485 connection. The connection is power limited and supervised. Up to thirty-one (31) RA-6500R LCD annunciators can be connected using Class B or Class A wiring. Class A wiring requires an optional Class A Expander.

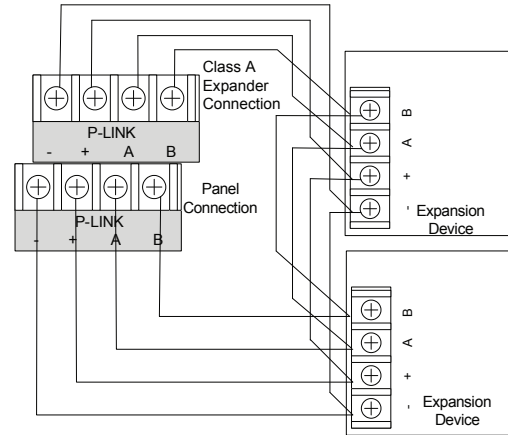
RA-6500R Class B Wiring Example

Fig 1



RA-6500R Class A Wiring Example

Fig 2

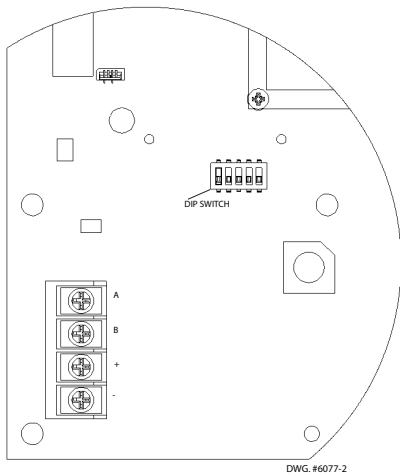


Address Settings

The RA-6500R address is set by dip switch S1 located on the back of the RA-6500R. The address must be set in the range of 1 to 31 to be recognized by the control panel.

RA-6500R Remote (Panel View)

Fig 3



Dip Switch Settings

Refer to the table below for dip switch settings per Annunciator Address.

Annunciator Address	Dip Switch Settings				
	SW-1	SW-2	SW-3	SW-4	SW-5
1	On	Off	Off	Off	Off
2	Off	On	Off	Off	Off
3	On	On	Off	Off	Off
4	Off	Off	On	Off	Off
5	On	Off	On	Off	Off
6	Off	On	On	Off	Off
7	On	On	On	Off	Off
8	Off	Off	Off	On	Off
9	On	Off	Off	On	Off
10	Off	On	Off	On	Off
11	On	On	Off	On	Off
12	Off	Off	On	On	Off
13	On	Off	On	On	Off
14	Off	On	On	On	Off
15	On	On	On	On	Off
16	Off	Off	Off	Off	On

Annunciator Address	Dip Switch Settings				
	SW-1	SW-2	SW-3	SW-4	SW-5
17	On	Off	Off	Off	On
18	Off	On	Off	Off	On
19	On	On	Off	Off	On
20	Off	Off	On	Off	On
21	On	Off	On	Off	On
22	Off	On	On	Off	On
23	On	On	On	Off	On
24	Off	Off	Off	On	On
25	On	Off	Off	On	On
26	Off	On	Off	On	On
27	On	On	Off	On	On
28	Off	Off	On	On	On
29	On	Off	On	On	On
30	Off	On	On	On	On
31	On	On	On	On	On

Ordering Information

Model	Description	Stock No.
RA-6500R	LCD Annunciator - RED	3992661
RA-6500R	LCD Annunciator - BLACK	3992747
RA-6500R	LCD Annunciator Flush - GRAY	3992748
RA-6500R	LCD Annunciator Flush - LIGHT GRAY	3992749