

Features

- Industry leading 4 line by 40 Character LCD
- Common buttons for navigation
- Common LEDs for status indication
- 31 annunciator per panel
- Maximum wire length of 6,500 feet
- Available in 4 colors
- Product includes a 5 year warranty



Description

The RA-6500 is a LCD remote annunciator for the PFC-6000 series fire control panels. The RA-6500 communicates using a RS-485 connection to the main panel providing common indication of Alarms, Supervisory, Trouble and other system status and control functions.

The RA-6500 features a 4x40 LCD display with LED's for Power, Alarm, Supervisory, Trouble, and Silenced conditions. It can be mounted on a single gang electrical box or a four square electrical box. The annunciator is enclosed in a sheet metal enclosure and has a Potter lock securing the keypad.

Technical Specifications

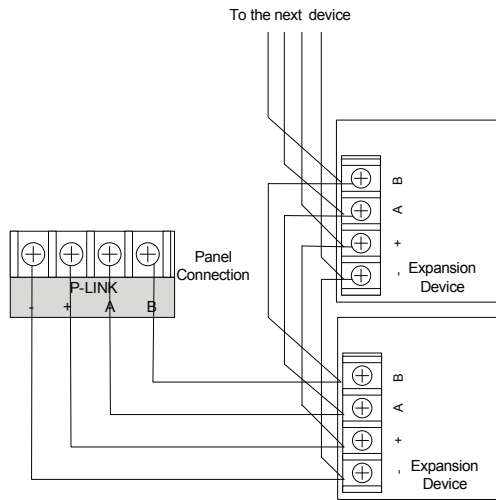
| | |
|--------------------------|---|
| Standby Current | 20 mA |
| Alarm Current | 25 mA |
| Operating Temperature | 0°C-49°C (32°F-120°F) |
| Operating Humidity Range | 10%-93% @ 30°C (86°F) non condensing humidity |
| Maximum Wire Length | 6500 ft. |
| Maximum Annunciators | 31 |
| Size (WxHxD) | 10" x 7-7/8" x 1-5/8" |
| Wire Gauge | 14 AWG-22 AWG |

Installation

The RA-6500 is connected to the PFC-6000 series fire control panels using a four wire RS-485 connection. The connection is power limited and supervised. Up to thirty-one (31) RA-6500 LCD annunciators can be connected using Class B or Class A wiring. Class A wiring requires an optional Class A Expander.

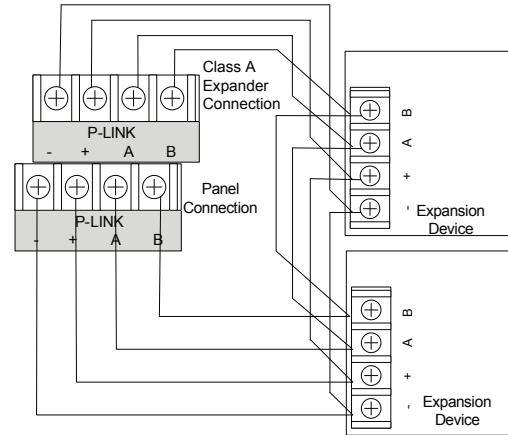
RA-6500 Class B Wiring Example

Fig 1



RA-6500 Class A Wiring Example

Fig 2

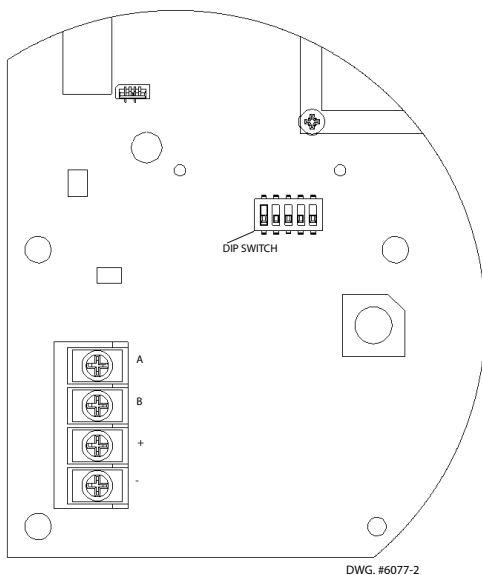


Address Settings

The RA-6500 address is set by dip switch S1 located on the back of the RA-6500. The address must be set in the range of 1 to 31 to be recognized by the control panel.

RA-6500 Remote (Panel View)

Fig 3



Dip Switch Settings

Refer to the table below for dip switch settings per Annunciator Address.

| Annunciator Address | Dip Switch Settings | | | | |
|---------------------|---------------------|------|------|------|------|
| | SW-1 | SW-2 | SW-3 | SW-4 | SW-5 |
| 1 | On | Off | Off | Off | Off |
| 2 | Off | On | Off | Off | Off |
| 3 | On | On | Off | Off | Off |
| 4 | Off | Off | On | Off | Off |
| 5 | On | Off | On | Off | Off |
| 6 | Off | On | On | Off | Off |
| 7 | On | On | On | Off | Off |
| 8 | Off | Off | Off | On | Off |
| 9 | On | Off | Off | On | Off |
| 10 | Off | On | Off | On | Off |
| 11 | On | On | Off | On | Off |
| 12 | Off | Off | On | On | Off |
| 13 | On | Off | On | On | Off |
| 14 | Off | On | On | On | Off |
| 15 | On | On | On | On | Off |
| 16 | Off | Off | Off | Off | On |

| Annunciator Address | Dip Switch Settings | | | | |
|---------------------|---------------------|------|------|------|------|
| | SW-1 | SW-2 | SW-3 | SW-4 | SW-5 |
| 17 | On | Off | Off | Off | On |
| 18 | Off | On | Off | Off | On |
| 19 | On | On | Off | Off | On |
| 20 | Off | Off | On | Off | On |
| 21 | On | Off | On | Off | On |
| 22 | Off | On | On | Off | On |
| 23 | On | On | On | Off | On |
| 24 | Off | Off | Off | On | On |
| 25 | On | Off | Off | On | On |
| 26 | Off | On | Off | On | On |
| 27 | On | On | Off | On | On |
| 28 | Off | Off | On | On | On |
| 29 | On | Off | On | On | On |
| 30 | Off | On | On | On | On |
| 31 | On | On | On | On | On |

Ordering Information

| Model | Description | Stock No. |
|---------|------------------------------|-----------|
| RA-6500 | LCD Annunciator - RED | 3992660 |
| RA-6500 | LCD Annunciator - BLACK | 3992744 |
| RA-6500 | LCD Annunciator - GRAY | 3992745 |
| RA-6500 | LCD Annunciator - LIGHT GRAY | 3992746 |