

## Features

- Capable of displaying alarms, supervisory, trouble status for 16 zones
- System Silence and Reset buttons
- Common LEDs for status indication
- Maximum 31 LED-16s for PFC-6800, P-400, P-400R, and IPA-4000.
- Maximum 10 LED-16s for PFC-6030, 6075, 6075R, 6200, and P-100, P-200, P-300, IPA-60, and IPA-100.
- Maximum P-Link wire length of 6,500 feet
- Available in four colors
- Product includes a 5 year warranty



## Description

The LED-16F is a LED remote annunciator for the PFC series, Potter Plus Series, and IPA series addressable fire control panels. The LED-16F communicates using a RS-485 connection to the main panel providing zone specific indication of Alarm, Supervisory, Trouble conditions.

The LED-16F features 2 slide-in labels allowing each of the 16 zones to be customized for any application. It can be flush mounted or surface mounted. It can be mounted on a single gang electrical box or a four-square electrical box. The annunciator utilizes a sheet metal enclosure secured with a Potter lock.

## Technical Specifications

Standby Current	20 mA
Alarm Current	25 mA
Operating Temperature	0°C-49°C (32°F-120°F)
Operating Humidity Range	0 to 93% (non-condensing)
Maximum Wire Length	6500 ft.
Maximum Annunciators	31
Flush Mount Size (WxHxD)	11 3/8" x 9-1/4" x 7/8"
Surface Mount Size (WxHxD)	11 3/8" x 9-1/4" x 3 1/8"
Wire Gauge	12 AWG-22 AWG

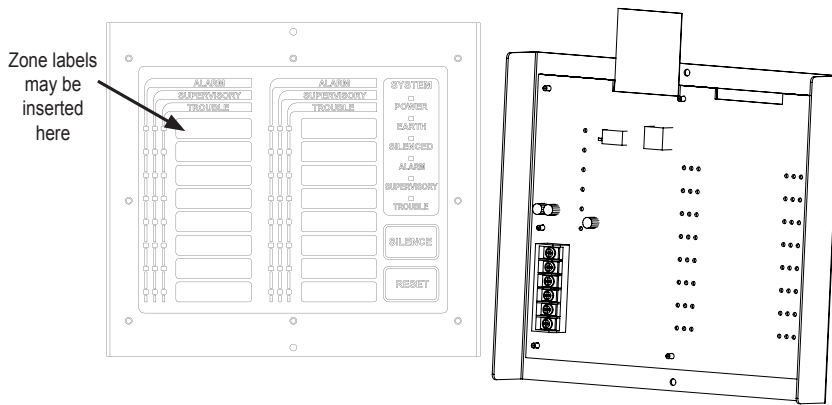
**NOTE:** LED PWR can be provided by any fire listed source. Output power must be 16 VDC–33 VDC and must be power limited.

**Installation**

The LED-16F is connected to the fire alarm control panel using a four wire RS-485 connection. The connection is power limited and supervised. Up to 31 LED-16F LED annunciators can be connected on PFC series, Potter Plus Series, and IPA series panels.

*LED-16F Module Showing Front Cover and Board*

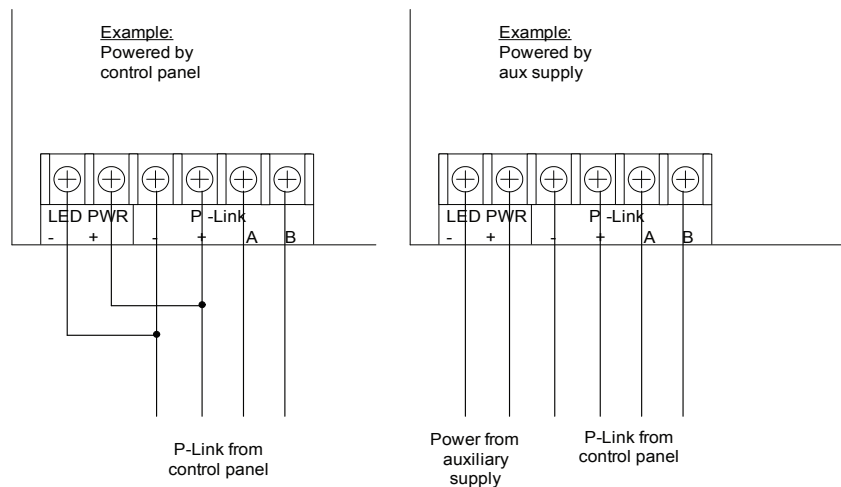
Fig 1



**Wiring Diagrams**

*Wiring LED-16F to Control Panel or Auxiliary Power Example*

Fig 2



**Ordering Information**

Model	Description	Stock No.
LED-16F	LED Annunciator Flush Mount	3992727