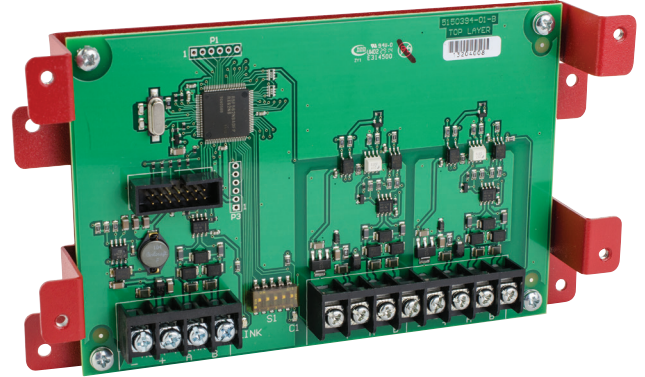


Features

- Allows multiple panels to communicate to a remote station receiver through a single panel designated as the host
- No special wiring for P-Link connection
- Class A or B capable
- Mounts with included stacker bracket
- May mount in panel, accessory cabinet, or PSN-1000/E Power Supply
- Product includes a 5 year warranty



Description

The Multi-Connect Expander (MC-1000) allows up to sixty-three (63) IPA series fire alarm control panels to share a single reporting technology. Each MC-1000 supports communication between the host reporting panel and two client panels. The MC-1000 communicates with the host and client control panels via the Potter P-Link communication bus. The MC-1000 can be mounted in either the control panel cabinet, the intelligent power supply/P-Link repeater, the PSN-1000E, AE-2, AE-8 or the AE-14 expander cabinet. Each card is mounted to the exclusive Stacker Bracket for secure and accessible mounting.

Technical Specifications

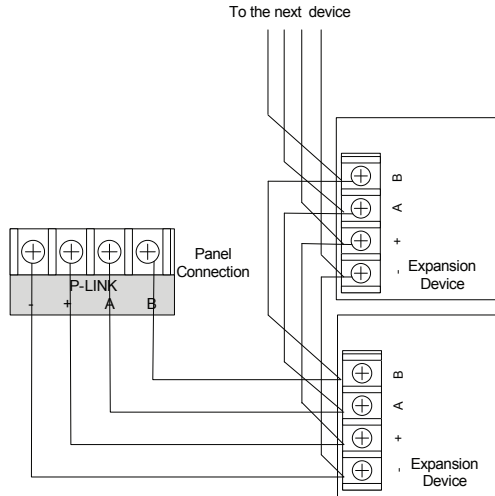
Standby Current	10mA
Alarm Current	10mA
Operating Temperature	0°C–49°C (32°F–120°F) 10%-93%
Operating Humidity Range	10% - 93% (non-condensing)
Max no. of MC-1000 Expanders	31
Dimensions	(W x H x D) 4" x 6" x 1-5/8"

Installation

The MC-1000 is connected to the IPA series panels using a four wire RS-485 connection. This connection is power limited and supervised. The MC-1000 can be installed in the AE-2 Accessory Enclosure, AE-8 Accessory Enclosure, AE-14 Accessory Enclosure or inside the large IPA series enclosure using the supplied bracket.

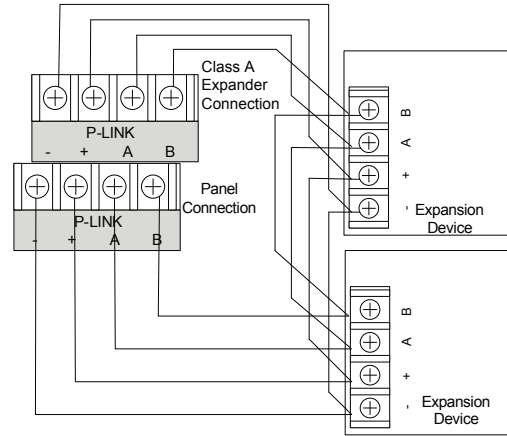
Host Panel Class B P-LINK Wiring Example

Fig 1



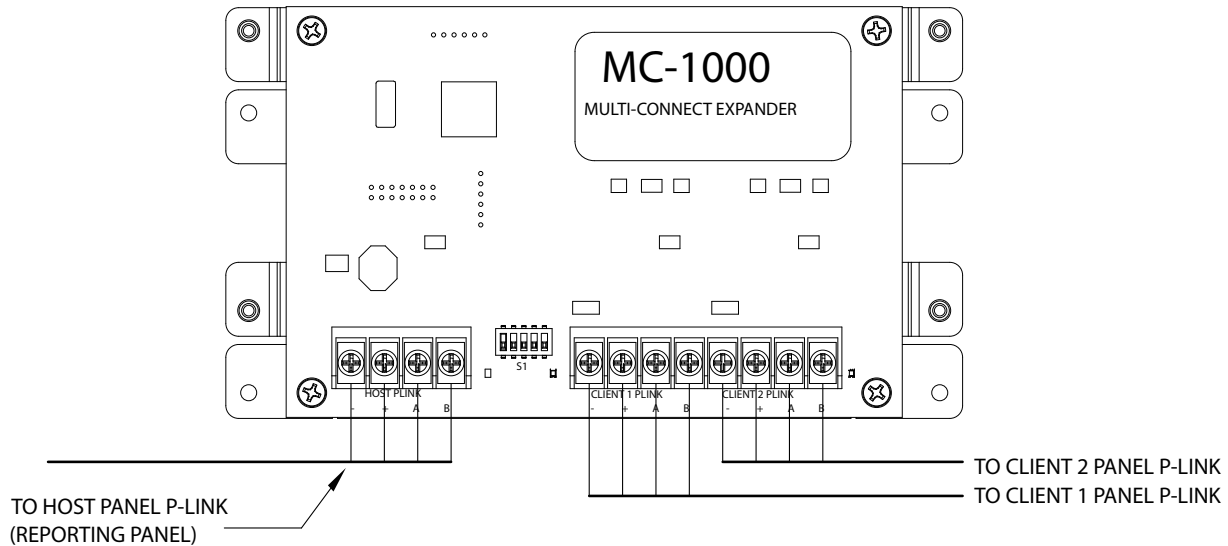
Host Panel Class A P-LINK Wiring Example

Fig 2



Host Panel and Client Panel Wiring Example

Fig 3



Ordering Information

Model	Description	Stock No.
MC-1000	Multi-Connect Expander	3992723