



CSHB/CSLB24 INDOOR/OUTDOOR STROBE HORN/STROBE COMBINATION



- Unit alone is UL Listed for outdoor use
- Low current consumption
- Wide operating voltage range
- AWG #18 lead wire connection
- Mounts to SBX-1 outdoor box, SBP-1 plastic mounting plate (optional), or SBP-2 plate (included) on single gang back box
- ALERT decal included
- Available in red or gray housing
- Available strobe colors: Amber, blue, green, and red

The Amseco's Outdoor Colored Strobe utilizes a patented design that produces a true color output. The CSLB and CSHB offer a slim look with a stylish round strobe. The CSLB and CSHB colored strobes and colored strobe/horns are listed indoor or outdoor applications and are completely sealed units. The colored coded flying leads provide a simple connection of one or multiple devices. The strobe/horn combinations are selectable with either a continuous or ANSI Temporal 3 output.

These strobes are used in various applications such as Mass Notification, Severe Weather Warning, Machine Operation, Industrial Detection Systems, Access Control and many, many more. These devices are UL listed for general signaling (UL 1638) and comply with the requirements for signaling of the hearing impaired (UL 1971). The bodies of the strobes are available in red or gray. The strobes are designed for 24 VDC, however will operate anywhere between 16 and 33 VDC.

Ordering Information

Model Number	Stock Number	Strobe Color	Housing Color	Input Voltage	Strobe Candela	Flash Rate (times/min.)	Light Output	Mounting Type
CSHB24-AG	4830009	Amber	Grey	Regulated 24V DC/FWR	68	60	Low / High	Wall Mount
CSHB24-BG	4830011	Blue			38			
CSHB24-GG*	4830013	Green			76			
CSHB24-RG*	4830015	Red			33			
CSHB24-AR*	4830010	Amber	Red		68			
CSHB24-BR	4830012	Blue			38			
CSHB24-GR	4830014	Green			76			
CSHB24-RR	4830016	Red			33			
CSLB24-AG*	4820009	Amber	Grey		68			
CSLB24-BG	4820011	Blue			38			
CSLB24-GG	4820013	Green			76			
CSLB24-RG	4820015	Red			33			
CSLB24-AR	4820010	Amber	Red		68			
CSLB24-BR*	4820012	Blue			38			
CSLB24-GR*	4820014	Green			76			
CSLB24-RR	4820016	Red			33			

* Contact Potter before ordering

Engineering Specifications

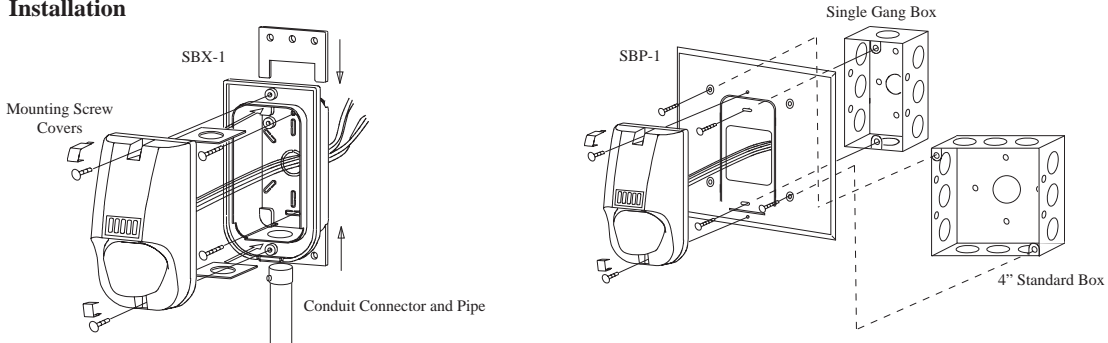
The Amseco CSLB24 colored strobe or CSHB24 colored strobe/horn shall be provided for visual (and audible with CSHB) notification. The device shall be completely sealed and listed for both indoor and outdoor installations. For outdoor installations, the SBX-1 back box shall be provided. The devices shall be UL listed for General Signaling and shall comply with light output requirements of UL 1971 for spacing. The colored strobes shall have a minimum light output of 15 cd. The reflective mirror shall be the same color as the lens to produce a true color of amber, red, blue or green. The strobe shall operate between 16 and 33 VDC regulated or full wave rectified. The strobe shall flash a minimum of once a second continuously at 16 VDC.

CSHB/CSLB24

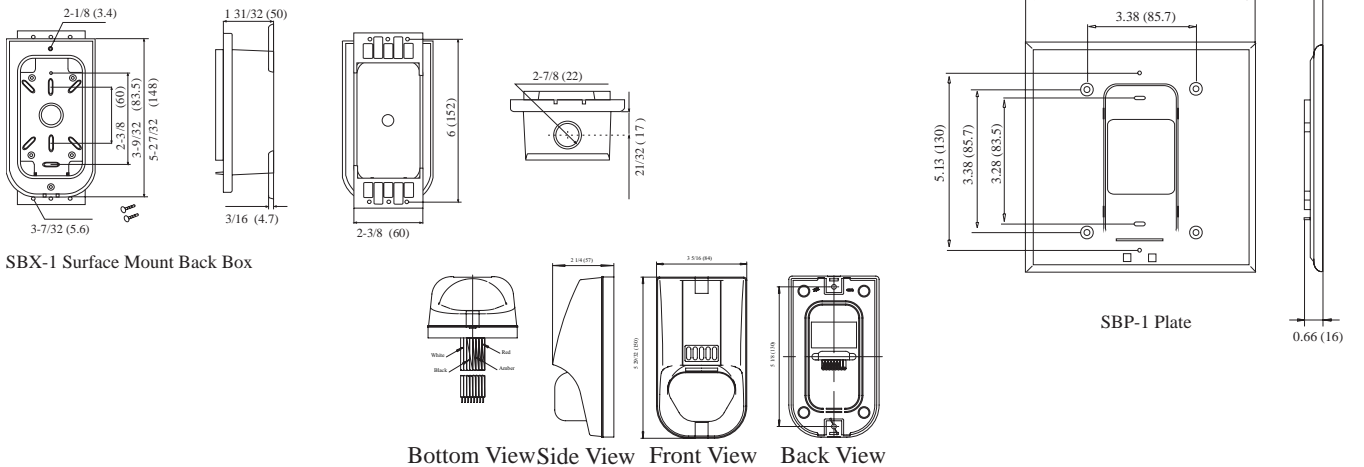
INDOOR/OUTDOOR STROBE

HORN/STROBE COMBINATION

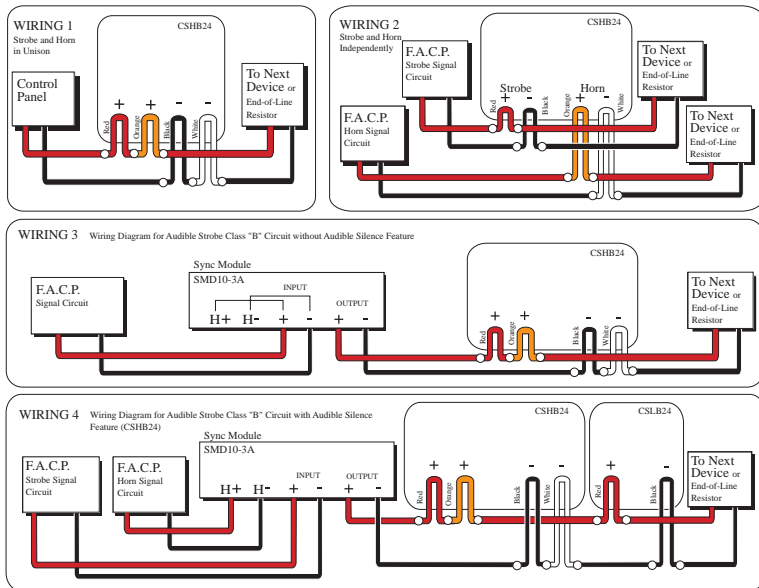
Installation



Dimensions: inches (mm)



Wiring Diagram



Wire Color: Horn: 2 - Orange (+) 2 - White (-) Strobe: 2 - Red (+) 2 - Black (-)